



TLH1SH, TLH1XH



11 Bearing System
C45 CARBON

Reel Specifications

Model	Weight (oz.)	Gear Ratio	Line Capacity (yd./lbs.)	RPT* (in.)
TLH1SH	5.4	7.5:1	110/12	30
TLH1XH	5.4	8.3:1	110/12	33

*Recovery per turn.

Speed Spool SLP Baitcast reels are designed to be Super Low Profile. Driven by innovation – Fueled with Passion
Feel the Difference!

Les moulinets à tambour tournant Speed Spool SLP sont conçus à très faible profil. Animé par l'innovation – Inspiré par la passion
Sentez la différence!

Los carretes de lanzamiento de Speed Spool SLP están diseñados para ser de perfil súper bajo. Impulsados por la innovación – Alimentados con pasión
¡Sienta la diferencia!

Reel Specifications/Reel Specifications

Model	Poids/Peso (g)	Démultiplication/ Relación de los engranajes	Capacité de ligne/ Capacidad de la línea (m/kg)	R/TM / RPT* (cm)
TLH1SH	153	7.5:1	100.5/5.4	76.2
TLH1XH	153	8.3:1	100.5/5.4	83.8

*Recovery per turn.

FEATURES:

- 11-bearing system with stainless steel double shielded ball bearings and Zero-Reverse one-way clutch bearing
- One-piece, lightweight Magnesium frame
- Speed Dial line recognition system
- Speed Keeper hook keeper
- Lightweight double anodized aluminum spool
- Lightweight C45 Carbon sideplates
- SpeedCast® externally Adjustable Centrifugal Brake System
- Smooth carbon fiber drag system provides up to 20 lbs. drag power
- Titanium-coated Zirconia line guide
- External lube port

CARACTÉRISTIQUES:

- 11-bearing system with stainless steel double shielded ball bearings and Zero-Reverse one-way clutch bearing
- One-piece, lightweight Magnesium frame
- Speed Dial line recognition system
- Speed Keeper hook keeper
- Lightweight double anodized aluminum spool
- Lightweight C45 Carbon sideplates
- SpeedCast® externally Adjustable Centrifugal Brake System
- Smooth carbon fiber drag system provides up to 9kg drag power
- Titanium-coated Zirconia line guide
- External lube port

CARACTERÍSTICAS:

- 11-bearing system with stainless steel double shielded ball bearings and Zero-Reverse one-way clutch bearing
- One-piece, lightweight Magnesium frame
- Speed Dial line recognition system
- Speed Keeper hook keeper
- Lightweight double anodized aluminum spool
- Lightweight C45 Carbon sideplates
- SpeedCast® externally Adjustable Centrifugal Brake System
- Smooth carbon fiber drag system provides up to 9kg drag power
- Titanium-coated Zirconia line guide
- External lube port

Performance – Right out of the Box!

Your Speed Spool® reel is designed for performance and functionality. From the way it conforms to your hand, to the way it reacts crisply and effortlessly to your command, you'll know the minute you grab onto your Speed Spool® that you've got a quality reel. Your Speed Spool® reel exploits several new developments which will allow you to set yourself apart from the competition.

High Strength Aluminum Gearing The drive gear, crankshaft, and worm shaft are made of high strength aluminum for increased strength and durability. In addition to these advantages, aluminum provides exceptionally low friction to enhanced efficiency.

Machined Aluminum Spool **Lightweight Double Anodized Aluminum Spool** The spool on your Lew's® reel has been engineered to maximize casting distance. Anodized to withstand oxidation and abrasion, machined and built for deep capacity.

One-piece Magnesium Frame Your Speed Spool® reel utilizes a one-piece, lightweight Magnesium frame that is both lightweight and strong, so you'll never have to worry about frame torque or twisting.

SPEED DIAL Line Recognition Your Speed Spool® reel features a convenient line indicator dial on the spool's tension knob. Quickly recognize what line type and line weight you have loaded on your reel.

SPEED KEEPER® Hook Keeper The innovative Speed Keeper® hook keeper gives convenience a whole new meaning. Swing it out and secure your hook, swing it back and it conveniently tucks back under the reel when not in use.

ZERO REVERSE Bearing The handle on your Speed Spool® reel will only rotate forward for rock solid hook setting. When you release the handle it will hold its position because of the Zero-Reverse bearing, never losing an inch on your catch; an invaluable property to have when you're pulling it in.

SpeedCast® 4-FIN ACB Externally Adjustable Centrifugal Brake System The SpeedCast® Adjustable Centrifugal Brake System delivers an extreme range of braking power from free spool to maximum by simply clicking its external dial to choose among 27 variable settings. The ACB system puts you in control of your casts, perfectly aligning brake power to conditions. With this system you will have more casting control over light lures, while maximizing casting distance with all lures.

Cast Control System A second feature exits to prevent backlash, the Cast Control System. An adjustment knob is found next to the star drag. The function saddles the spool shaft with steady pressure in order to stabilize spool speed.

To calibrate the system, reel your lure in until it rests on the tip of the rod, then tighten the knob until taut. Depress the thumb bar, and holding the rod horizontally loosen the knob slowly until the lure begins to descend. The spool should continue to spin after the lure contacts the ground, but should not complete more than one full rotation. If the spool does not continue to spin, the knob is too tight. If the spool completes more than one rotation, the knob is too loose. Repeat until you have achieved the desired results.

winn Bowed 95MM Carbon Fiber Winn® Handle Our 95 mm bowed carbon fiber handle will give you all the cranking power you need. The Winn® Dri-tac handle knobs are an added bonus known for a comfortable grip for all day fishing.

Performant – Immédiatement!

Votre moulinet Speed Spool® a été conçu en pensant à la performance et à la fonctionnalité. Dès que vous saisissez le moulinet Speed Spool®, vous savez qu'il s'agit d'un produit de qualité par sa prise en main parfaite et sa façon de réagir avec précision et sans effort à la commande. Le moulinet Speed Spool® tire parti d'avancées récentes qui vous permettront de vous démarquer.

High Strength Aluminum Gearing The drive gear, crankshaft, and worm shaft are made of high strength aluminum for increased strength and durability. In addition to these advantages, aluminum provides exceptionally low friction to enhanced efficiency.

Machined Aluminum Spool **Lightweight Double Anodized Aluminum Spool** The spool on your Lew's® reel has been engineered to maximize casting distance. Anodized to withstand oxidation and abrasion, machined and built for deep capacity.

One-piece Magnesium Frame Your Speed Spool® reel utilizes a one-piece, lightweight Magnesium frame that is both lightweight and strong, so you'll never have to worry about frame torque or twisting.

SPEED DIAL Line Recognition Your Speed Spool® reel features a convenient line indicator dial on the spool's tension knob. Quickly recognize what line type and line weight you have loaded on your reel.

SPEED KEEPER® Hook Keeper The innovative Speed Keeper® hook keeper gives convenience a whole new meaning. Swing it out and secure your hook, swing it back and it conveniently tucks back under the reel when not in use.

ZERO REVERSE Butée antiretour La poignée du moulinet Speed Spool® tourne uniquement vers l'avant pour préparer l'hameçon solidement. Lorsque vous relâchez la poignée, celle-ci garde sa position en raison de la butée antiretour; vous ne perdez pas même un centimètre sur votre prise, un attribut enviable lorsque vous ramenez le poisson.

SpeedCast® 4-FIN ACB Externally Adjustable Centrifugal Brake System The SpeedCast® Adjustable Centrifugal Brake System delivers an extreme range of braking power from free spool to maximum by simply clicking its external dial to choose among 27 variable settings. The ACB system puts you in control of your casts, perfectly aligning brake power to conditions. With this system you will have more casting control over light lures, while maximizing casting distance with all lures.

Système de contrôle du lancer Le système de contrôle du lancer est une deuxième fonction contribuant à prévenir les perruques. Un bouton de réglage se trouve en regard du frein étoile. Il serre l'axe du tambour en exerçant une pression constante de manière à stabiliser la vitesse de ce dernier.

Pour étalonner le système, ramenez votre leurre jusqu'à ce qu'il repose sur l'extrémité de la canne, puis serrez fermement le bouton. Enfoncez le bouton à coulisse et en tenant la canne à l'horizontale, relâchez lentement le bouton jusqu'à ce que le leurre commence à descendre. Le tambour devrait continuer de tourner après que le leurre a touché le sol, sans toutefois effectuer plus d'une rotation complète. Si le tambour ne continue pas de tourner, le réglage du bouton est trop serré. Si le tambour effectue plus d'un tour, le réglage du bouton est trop lâche. Répétez cette méthode jusqu'à ce que vous atteigniez le résultat souhaité.

winn Bowed 95MM Carbon Fiber Winn® Handle Our 95 mm bowed carbon fiber handle will give you all the cranking power you need. The Winn® Dri-tac handle knobs are an added bonus known for a comfortable grip for all day fishing.

ATTENTION BRAIDED LINE USERS!

If your Lew's® Baitcast reel has pre-drilled holes in the spool, you may tie your braid directly to the spool, by passing the braid thru the provided holes and tying a uni-knot.

If your Lew's® baitcast reel does not have pre-drilled holes in the spool, you will need to first tie on and spool at least 20 revolutions of monofilament line, and then tie your braided line to the monofilament line, with either a back-to-back uni-knot or an Albright knot.

Continue to spool your reel as normal, keeping strong tension on the line to ensure the line is firmly wound onto the spool to keep from "digging in" to underlying line layers when pressure is put on the line from fighting fish.

FAILURE TO PROPERLY SPOOL BRAIDED LINE ONTO YOUR REELS SPOOL WILL RESULT IN LINE SLIPPAGE, AND THE IMPRESSION YOUR DRAG IS NOT WORKING PROPERLY.

ATTENTION! UTILISATEURS DE FIL TRESSÉ

Si le tambour de votre moulinet à tambour roulant Lew's® est doté d'orifices prépercés, vous pouvez attacher la tresse directement au tambour en la passant par les orifices fournis et en faisant un uninoeud.

Si le tambour de votre moulinet à tambour roulant Lew's® n'est pas doté d'orifices prépercés, vous devrez attacher et embobiner au moins 20 tours de fil monofilament, puis attacher le fil tressé au fil monofilament par un uninoeud consécutif ou un noeud Albright.

Continuez d'embobiner votre moulinet comme à l'habitude, en gardant une forte tension sur le fil de manière à ce qu'il s'enroule fermement sur le tambour. Vous éviterez ainsi que le fil « s'enfoncé » dans les couches de fil sous-jacentes lorsqu'une tension s'exerce sur la ligne en combattant le poisson.

L'ENROULEMENT INADÉQUAT DU FIL TRESSÉ SUR LE TAMBOUR DU MOULINET ENTRAÎNERA UN GLISSEMENT DU FIL, CE QUI POURRAIT VOUS DONNER L'IMPRESSION QUE LE FREIN NE FONCTIONNE PAS CORRECTEMENT.

¡ATENCIÓN USUARIOS DE SEDAL TRENZADO!

Si su carrete de lanzamiento Lew's® tiene agujeros previamente barrenados en la bobina, puede amarrar la trenza directamente a la bobina, pasándola por los agujeros suministrados y haciendo un nudo UNI.

Si su carrete de lanzamiento Lew's® no tiene agujeros previamente barrenados en la bobina, necesitará primero amarrar y bobinar al menos 20 revoluciones del sedal de monofilamento para luego amarrar el sedal trenzado al sedal de monofilamento con un nudo UNI doble o un nudo Albright.

Continúe bobinando su carrete como lo haría normalmente, manteniendo una fuerte tensión en el sedal a fin de asegurarse de que el sedal esté firmemente enrollado en la bobina y evitar que se "entierre" en las capas de sedal subyacente cuando aplique presión al pelear con un pez.

NO BOBINAR CORRECTAMENTE UN SEDAL TRENZADO EN LA BOBINA DEL CARRETE PROVOCARÁ QUE EL SEDAL SE RESBALE Y DARÁ LA IMPRESIÓN DE QUE EL ARRASTRE NO FUNCIONA CORRECTAMENTE.

Desempeño – ¡Listo para usarse!

Su carrete Speed Spool® está diseñado para ofrecer un gran desempeño y funcionalidad. Desde la manera en que se amolda a su mano, hasta la reacción directa y fácil a sus órdenes, en el momento en el que empuña su Speed Spool® usted sabe que tiene un carrete de calidad. Su carrete Speed Spool® aprovecha varios nuevos avances que le permitirán distinguirse de la competencia.

High Strength Aluminum Gearing The drive gear, crankshaft, and worm shaft are made of high strength aluminum for increased strength and durability. In addition to these advantages, aluminum provides exceptionally low friction to enhanced efficiency.

Machined Aluminum Spool **Lightweight Double Anodized Aluminum Spool** The spool on your Lew's® reel has been engineered to maximize casting distance. Anodized to withstand oxidation and abrasion, machined and built for deep capacity.

One-piece Magnesium Frame Your Speed Spool® reel utilizes a one-piece, lightweight Magnesium frame that is both lightweight and strong, so you'll never have to worry about frame torque or twisting.

SPEED DIAL Line Recognition Your Speed Spool® reel features a convenient line indicator dial on the spool's tension knob. Quickly recognize what line type and line weight you have loaded on your reel.

SPEED KEEPER® Hook Keeper The innovative Speed Keeper® hook keeper gives convenience a whole new meaning. Swing it out and secure your hook, swing it back and it conveniently tucks back under the reel when not in use.

ZERO REVERSE Rodamiento anti-retroceso La manivela de su carrete Speed Spool® girará únicamente hacia adelante en un ajuste de anzuelo increíblemente sólido. Al soltar la manivela, esta conservará su posición debido al rodamiento Zero-Reverse (anti-retroceso), sin perder nunca una pulgada ante su presa; es una propiedad invaluable al enrollar el carrete.

SpeedCast® 4-FIN ACB Externally Adjustable Centrifugal Brake System The SpeedCast® Adjustable Centrifugal Brake System delivers an extreme range of braking power from free spool to maximum by simply clicking its external dial to choose among 27 variable settings. The ACB system puts you in control of your casts, perfectly aligning brake power to conditions. With this system you will have more casting control over light lures, while maximizing casting distance with all lures.

Sistema de control de lanzamiento Existe una segunda función para evitar el contragolpe, el sistema de control del lanzamiento. Hay una perilla de ajuste junto al arrastre de estrella. La función aplica presión constante al eje de la bobina a fin de estabilizar la velocidad de la bobina.

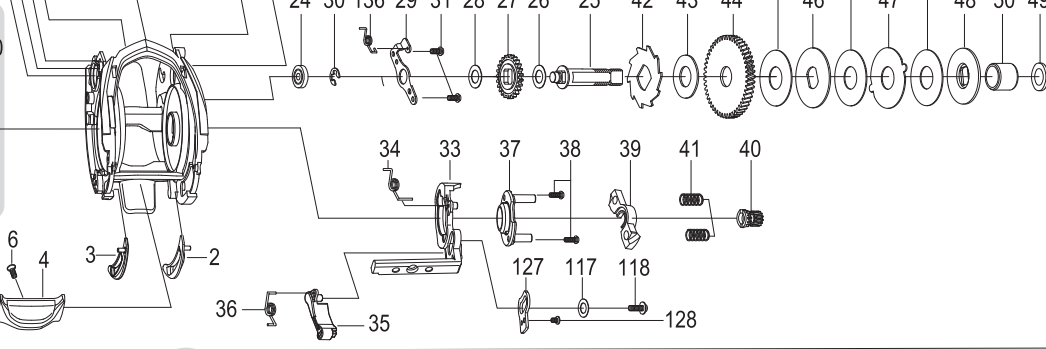
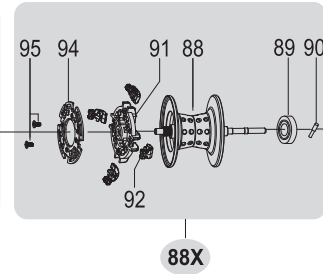
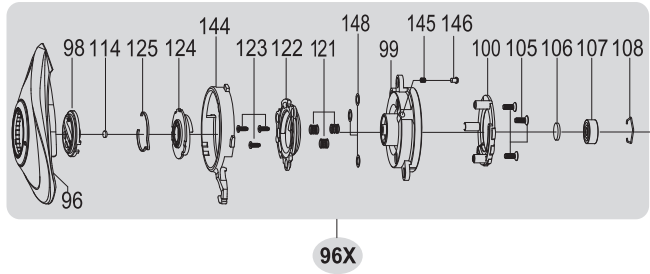
Para calibrar el sistema, bobine el señuelo hasta que descanse en la punta de la caña; luego, apriete la perilla hasta tensarla. Presione la barra para el pulgar y, sosteniendo la caña horizontal, aloje la perilla lentamente hasta que el señuelo comience a descender. La bobina debe continuar girando después de que el señuelo tenga contacto con el suelo, pero no debe completar más de una rotación completa. Si la bobina no continua girando, la perilla está demasiado apretada. Si la bobina completa más de una rotación, la perilla está suelta. Repita el procedimiento hasta obtener los resultados deseados.

winn Bowed 95MM Carbon Fiber Winn® Handle Our 95 mm bowed carbon fiber handle will give you all the cranking power you need. The Winn® Dri-tac handle knobs are an added bonus known for a comfortable grip for all day fishing.



TEAM LEW'S HYPERMAG SPEED SPOOL SLP

TLH1SH, TLH1XH



For professional cleaning and maintenance send your reel postage prepaid to: Lew's Speed Services Phone: 877-470-5397 FAX: 1-417-881-5387 lews.com

Pour le nettoyage et l'entretien professionnels de votre moulinet, envoyez-le à (frais de retour prépayés): Lew's Speed Services Téléphone : 877 470-5397 Télécopieur : 1 417 881-5387 lews.com

Para obtener una limpieza y mantenimiento profesional, envíe su carrete con franqueo prepagado a: Lew's Speed Services Teléfono: 877-470-5397 FAX: 1-417-881-5387 lews.com



For Warranty information and registration go to lews.com

Pour de l'information sur la garantie et l'enregistrement du produit, allez à lews.com

Para registrar y obtener información de la garantía, visite lews.com

KEY #	PART NAME	KEY #	PART NAME	KEY #	PART NAME
1	FRAME ASSEMBLY	46	DRAG WASHER(D1)	88X	SPOOL ASSEMBLY
2	CLUTCH BAR PLATE-R	47	DRAG WASHER (A)	89	BALL BEARING
3	CLUTCH BAR PLATE-L	48	DRAG WASHER (D2)	90	PIN
4	CLUTCH BAR	49	SLEEVE WASHER (OPTIONAL)	91	BRAKE HOLDER
6	CLUTCH BAR SCREW	50	SLEEVE	92	BRAKE SHOE ASSEMBLY (4)
7	LEVEL WIND ASSEMBLY	51	GEAR SIDE PLATE	94	BRAKE HOLDER PLATE
8	PIPE	51X	GEAR SIDE PLATE ASSEMBLY	95	BRAKE HOLDER PLATE SCREW (2)
9	WORM SHAFT	53	ONE-WAY CLUTCH	96	PALM SIDE PLATE
10	BALL BEARING	54	O-RING	96X	PALM SIDE PLATE ASSEMBLY
12	IDLER(S)	55	BALL BEARING	98	CONTROL DIAL
13	WORM SHAFT PIN	56	BEARING RETAINER	99	SPOOL COVER
14	BALL BEARING	57	CAST CONTROL CAP	105	SPOOL COVER SCREW (3)
15	WORM SHAFT BUSHING (B)	57X	CAST CONTROL CAP ASSEMBLY	106	SPOOL SPACER (A)
16	WORM SHAFT WASHER (OPTIONAL)	58	CLICKER	107	BALL BEARING
17	E-RING	59	CLICK PLATE	108	BEARING RETAINER
18	PILLAR	60	CLICK PLATE RETIANER	114	WASHER (OPTIONAL)
19	LEVEL WIND PIN	61	TENSION WASHER	117	CLUTCH WASHER
20	SPACER (OPTIONAL)	62	SPOOL SPACER (B)	118	CLUTCH SCREW
21	LEVEL WIND NUT	66	GEAR SIDE PLATE SCREW (A)	120	BRAKE PLATE HOLDER ASSEMBLY
22	FRONT COVER	67	GEAR SIDE PLATE SCREW (B)	121	SLIDE CAM SPRING (3)
23	FRONT COVER SCREW (A)	69	LUBE PORT CAP	122	SLIDE CAM (M)
24	BALL BEARING	70	LUBE PORT CAP SCREW	123	SLIDE CAM SCREW (3)
25	CRANK SHAFT	71	DRAG SPRING WASHER	124	DIAL CAM (M)
26	IDLER (L) WASHER (A)	72	CLICK HOLDER	125	CLICK SPRING
27	IDLER (L)	73	STAR DRAG	127	LINK PLATE
28	IDLER (L) WASHER (B)	73X	STAR DRAG ASSEMBLY	128	LINK PLATE SCREW
29	BEARING PLATE	74	CLICKER	133	HOOK HOLDER
30	E-RING	75	CLICK PLATE	134	HOOK HOLDER WASHER(OPTIONAL)
31	BEARING PLATE SCREW	76	CLICK PLATE RETIANER	135	HOOK HOLDER SCREW
33	CLUTCH CAM	77	HANDLE WASHER	136	HOOK HOLDER SPRING
34	CLUTCH SPRING	78	HANDLE	141	HOOD
35	KICK LEVER	78X	HANDLE ASSEMBLY	142	HOOD SCREW (4)
36	KICK LEVER SPRING	79	BUSHING	143	FRONT COVER SCREW (B)
37	CAM PLATE	80	HANDLE KNOB	144	LOCK LEVER
38	CLUTCH CAM SCREW	81	BALL BEARING	147	GUIDE PIN
39	PINION YOKE	82	HANDLE KNOB SCREW	148	WASHER
40	PINION GEAR	83	HANDLE KNOB CAP	149	SLIDE PLATE
41	PINION YOKE SPRING (2)	84	HANDLE WASHER	150	SLIDE PLATE SCREW
42	RATCHET	85	HANDLE NUT	151	LOCK LEVER SPRING
43	RATCHET WASHER	86	HANDLE NUT RETAINER	152	COLLAR-K
44	DRIVE GEAR	87	SCREW	153	SPRING PLATE
45	DRAG WASHER(L-3)	88	SPOOL		

KEY #	PART NAME	KEY #	PART NAME	KEY #	PART NAME
1	FRAME ASSEMBLY	46	DRAG WASHER(D1)	88X	SPOOL ASSEMBLY
2	CLUTCH BAR PLATE-R	47	DRAG WASHER (A)	89	BALL BEARING
3	CLUTCH BAR PLATE-L	48	DRAG WASHER (D2)	90	PIN
4	CLUTCH BAR	49	SLEEVE WASHER (OPTIONAL)	91	BRAKE HOLDER
6	CLUTCH BAR SCREW	50	SLEEVE	92	BRAKE SHOE ASSEMBLY (4)
7	LEVEL WIND ASSEMBLY	51	GEAR SIDE PLATE	94	BRAKE HOLDER PLATE
8	PIPE	51X	GEAR SIDE PLATE ASSEMBLY	95	BRAKE HOLDER PLATE SCREW (2)
9	WORM SHAFT	53	ONE-WAY CLUTCH	96	PALM SIDE PLATE
10	BALL BEARING	54	O-RING	96X	PALM SIDE PLATE ASSEMBLY
12	IDLER(S)	55	BALL BEARING	98	CONTROL DIAL
13	WORM SHAFT PIN	56	BEARING RETAINER	99	SPOOL COVER
14	BALL BEARING	57	CAST CONTROL CAP	105	SPOOL COVER SCREW (3)
15	WORM SHAFT BUSHING (B)	57X	CAST CONTROL CAP ASSEMBLY	106	SPOOL SPACER (A)
16	WORM SHAFT WASHER (OPTIONAL)	58	CLICKER	107	BALL BEARING
17	E-RING	59	CLICK PLATE	108	BEARING RETAINER
18	PILLAR	60	CLICK PLATE RETIANER	114	WASHER (OPTIONAL)
19	LEVEL WIND PIN	61	TENSION WASHER	117	CLUTCH WASHER
20	SPACER (OPTIONAL)	62	SPOOL SPACER (B)	118	CLUTCH SCREW
21	LEVEL WIND NUT	66	GEAR SIDE PLATE SCREW (A)	120	BRAKE PLATE HOLDER ASSEMBLY
22	FRONT COVER	67	GEAR SIDE PLATE SCREW (B)	121	SLIDE CAM SPRING (3)
23	FRONT COVER SCREW (A)	69	LUBE PORT CAP	122	SLIDE CAM (M)
24	BALL BEARING	70	LUBE PORT CAP SCREW	123	SLIDE CAM SCREW (3)
25	CRANK SHAFT	71	DRAG SPRING WASHER	124	DIAL CAM (M)
26	IDLER (L) WASHER (A)	72	CLICK HOLDER	125	CLICK SPRING
27	IDLER (L)	73	STAR DRAG	127	LINK PLATE
28	IDLER (L) WASHER (B)	73X	STAR DRAG ASSEMBLY	128	LINK PLATE SCREW
29	BEARING PLATE	74	CLICKER	133	HOOK HOLDER
30	E-RING	75	CLICK PLATE	134	HOOK HOLDER WASHER(OPTIONAL)
31	BEARING PLATE SCREW	76	CLICK PLATE RETIANER	135	HOOK HOLDER SCREW
33	CLUTCH CAM	77	HANDLE WASHER	136	HOOK HOLDER SPRING
34	CLUTCH SPRING	78	HANDLE	141	HOOD
35	KICK LEVER	78X	HANDLE ASSEMBLY	142	HOOD SCREW (4)
36	KICK LEVER SPRING	79	BUSHING	143	FRONT COVER SCREW (B)
37	CAM PLATE	80	HANDLE KNOB	144	LOCK LEVER
38	CLUTCH CAM SCREW	81	BALL BEARING	147	GUIDE PIN
39	PINION YOKE	82	HANDLE KNOB SCREW	148	WASHER
40	PINION GEAR	83	HANDLE KNOB CAP	149	SLIDE PLATE
41	PINION YOKE SPRING (2)	84	HANDLE WASHER	150	SLIDE PLATE SCREW
42	RATCHET	85	HANDLE NUT	151	LOCK LEVER SPRING
43	RATCHET WASHER	86	HANDLE NUT RETAINER	152	COLLAR-K
44	DRIVE GEAR	87	SCREW	153	SPRING PLATE
45	DRAG WASHER(L-3)	88	SPOOL		

fig 1 To remove palming sideplate slide down lever (144) and pull sideplate off (96).

2. Pull slideplate (96).
2. Tirer sur le carter (96).
2. Jale la placa lateral (96)

Pour enlever le carter, glissez le levier vers le bas (144) et tirez sur le carter pour l'extraire (96).

1. TO OPEN, slide down lever (144).
1. POUR OUVRIR, glissez le levier vers le bas (144).
1. PARA ABRIR, deslice la palanca (144) hacia abajo y jale la placa lateral (96) hasta quitarla.

LUBE PORT
PORT DE GRAISSAGE
PUERTO DE LUBRICACIÓN

Maintenance and Care
When applying lubricant to your Speed Spool reel, avoid using multi-purpose oil. Use lightweight oils or greases made for fishing reels. Apply oil to all bearings, the crankshaft and the worm gear. Apply grease to the bushings, pinion gears, drive gears, and crank gears.

After usage, your reel should be inspected for dirt or sand and cleaned if excessive build-up is present. If your reel has come in contact with saltwater it is important to flush all parts with water, dry and re-lubricate your reel. Through diligent cleaning and maintenance your Lew's reel will provide you with years of reliability and sound performance.

Entretien et soin
Lors du graissage de votre moulinet Speed Spool, évitez d'utiliser une huile à usages multiples. Utilisez des huiles ou des graisses légères prévues pour les moulinets de canne à pêche. Appliquez l'huile à tous les roulements, au vilebrequin et à la vis sans fin. Appliquez la graisse aux bagues de palier, aux engrainages à pignons, aux pignons d'entraînement et au vilebrequin.

Après l'avoir utilisé, le moulinet doit être inspecté pour déceler toute trace de saleté ou de sable, et nettoyé en cas d'accumulation excessive. Si votre moulinet a été en contact avec de l'eau de mer, il est important de rincer tout ses éléments à l'eau douce, de le sécher et de le lubrifier de nouveau. Avec des nettoyages et un entretien diligents, votre moulinet Lew's vous procurera des années de fonctionnement fiable et performant.

Mantenimiento y cuidado
Al aplicar lubricante a su carrete Speed Spool, evite usar aceite multiusos. Use aceites o grasas ligeras hechas para carretes de pesca. Aplique aceite a todos los rodamientos, el cigüeñal y el engranaje helicoidal. Aplique grasa a los bujes, engranajes de piñón, engranajes impulsores y engranajes del cigüeñal.

Después de usarlo, debe inspeccionar que el carrete no tenga polvo o arena, y limpiarlo si hay una acumulación excesiva. Si su carrete ha tenido contacto con agua salada, es importante enjuagar todas las piezas con agua y volver a lubricar el carrete. Mediante una limpieza y mantenimiento diligente, su carrete Lew's le proporcionará años de confiabilidad y desempeño sin problemas.

One Year Limited Warranty

Lew's® Warrants its products¹ to withstand normal² use for the purpose designed and intended when manufactured for a period of one (1) year from the original retail sale date to the original retail consumer. Lew's® will at its option repair or replace³ Lew's® products when required for the warranty period and return⁴ the product to the owner at no additional⁵ cost to the owner. 1Numerous products have been manufactured under variations of the Lew's® name and under the Lew's® Logo by multiple businesses over the past 50 years. This warranty is specifically for products manufactured on behalf of Lew's® of Springfield, Missouri USA since January 1, 2010. Lew's® products manufactured by or on behalf of other entities prior to January 1, 2010 are not covered by this warranty. In all circumstances, this Warranty is Limited in Value to the original retail value of the product and is limited to actual damage to the Lew's® product and only the Lew's® product. 2Loss of a product, and loss/damage of a product or parts due to the attempted repair or servicing of a Lew's® product by any person or business other than Lew's® or Lew's® Authorized Warranty Service Agent, and damage caused by or resulting from abuse, misuse, lack of recommended maintenance, accident, acts of God, and shipping damages occurring in transit to Lew's® or Lew's® Authorized Agent are outside the scope of Lew's® Limited Warranty and will be repaired through Lew's® after warranty services at the expense of the consumer. 3Any products replaced by Lew's® will be new or remanufactured by a Lew's® Authorized Agent with the same or next model upgrade product. 4Lew's® will return warranted products to the consumer by reasonable means as determined by Lew's®, Express or expedited services are the responsibility of the consumer as is sending the product to Lew's® or Lew's® Authorized Agent, for Warranty Service. Lew's® and Lew's® Service Agents as authorized by Lew's® are the sole agents authorized to repair or replace Lew's® products under the terms of this warranty. Only written changes by an officer of Lew's® can alter the terms or conditions of this warranty.

This warranty gives you specific legal rights including additional rights extended by some states which do not allow certain exclusions and limitations. Any action brought against Lew's® for the purpose of settling a warranty dispute shall be brought and litigated in the State of Missouri, County of Greene.

Garantie limitée de 1 an

Lew's® garantit que ses produits¹ résisteront à une utilisation normale² selon l'usage prévu au moment de leur fabrication, pour une période d'un (1) an à compter de la date d'achat originale par le consommateur original. Lew's®, à sa discrétion, réparera ou remplacera³ les produits Lew's® défectueux dans la période de garantie, et retournera⁴ sans frais supplémentaires⁵ le ou les produits à son propriétaire. 1De nombreux produits ont été fabriqués sous diverses variations de la marque Lew's® et sous le logo Lew's® par de multiples entreprises au cours des 50 dernières années. Cette garantie s'applique exclusivement aux produits fabriqués au nom de Lew's® à Springfield, au Missouri, États-Unis, depuis le 1er janvier 2010. Les produits Lew's® fabriqués par d'autres entreprises ou au nom d'autres entreprises avant le 1er janvier 2010 ne sont pas couverts par cette garantie. En toutes circonstances, cette garantie se limite à la valeur originale au détail du produit et aux dommages au produit Lew's® exclusivement. 2La perte d'un produit et les dommages à un produit ou à des pièces d'un produit Lew's® en raison d'une tentative de service ou de réparation par toute autre personne ou entreprise que Lew's® ou un agent autorisé de service sous garantie Lew's®, de même que les dommages causés par un abus, une mauvaise utilisation, le manquement à effectuer l'entretien recommandé, des accidents, des catastrophes naturelles ou des dommages se produisant pendant le transport vers Lew's® ou un agent autorisé de Lew's® échappent à la portée de la garantie limitée Lew's®. De tels dommages seront réparés aux frais du consommateur par les services après-vente Lew's®. 3Tout produit défectueux sera remplacé par Lew's® sur un produit neuf ou remis à neuf par un agent autorisé de Lew's®, d'un modèle identique au produit original ou plus récent. 4Lew's® retournera les produits sous garantie au consommateur par des moyens raisonnables déterminés par Lew's®. 5Le consommateur assumera les frais de service accéléré ou rapide de même que ceux associés à l'envoi du produit à Lew's® ou à un agent autorisé de Lew's® afin d'obtenir un service sous garantie. Lew's® ou les agents de service autorisés Lew's® sont les seuls agents autorisés à réparer ou remplacer les produits Lew's® en vertu des conditions de cette garantie. Seuls les changements écrits apportés par un représentant de Lew's® peuvent modifier les modalités ou conditions de cette garantie.

Cette garantie confère à l'acheteur des droits particuliers. Certains États peuvent également lui conférer d'autres droits qui interdisent certaines exclusions et restrictions. Toute poursuite intentée contre Lew's® aux fins de régler un litige associé à la garantie sera portée devant les tribunaux de l'État du Missouri dans le comté de Greene.

KEY #	PART NAME	KEY #	PART NAME	KEY #	PART NAME
1	FRAME ASSEMBLY	46	DRAG WASHER(D1)	88X	SPOOL ASSEMBLY
2	CLUTCH BAR PLATE-R	47	DRAG WASHER (A)	89	BALL BEARING
3	CLUTCH BAR PLATE-L	48	DRAG WASHER (D2)	90	PIN
4	CLUTCH BAR	49	SLEEVE WASHER (OPTIONAL)	91	BRAKE HOLDER
6	CLUTCH BAR SCREW	50	SLEEVE	92	BRAKE SHOE ASSEMBLY (4)
7	LEVEL WIND ASSEMBLY	51	GEAR SIDE PLATE	94	BRAKE HOLDER PLATE
8	PIPE	51X	GEAR SIDE PLATE ASSEMBLY	95	BRAKE HOLDER PLATE SCREW (2)
9	WORM SHAFT	53	ONE-WAY CLUTCH	96	PALM SIDE PLATE
10	BALL BEARING	54	O-RING	96X	PALM SIDE PLATE ASSEMBLY
12	IDLER(S)	55	BALL BEARING	98	CONTROL DIAL
13	WORM SHAFT PIN	56	BEARING RETAINER	99	SPOOL COVER
14	BALL BEARING	57	CAST CONTROL CAP	105	SPOOL COVER SCREW (3)
15	WORM SHAFT BUSHING (B)	57X	CAST CONTROL CAP ASSEMBLY	106	SPOOL SPACER (A)
16	WORM SHAFT WASHER (OPTIONAL)	58	CLICKER	107	BALL BEARING
17	E-RING	59	CLICK PLATE	108	BEARING RETAINER
18	PILLAR	60	CLICK PLATE RETIANER	114	WASHER (OPTIONAL)
19	LEVEL WIND PIN	61	TENSION WASHER	117	CLUTCH WASHER
20	SPACER (OPTIONAL)	62	SPOOL SPACER (B)	118	CLUTCH SCREW
21	LEVEL WIND NUT	66	GEAR SIDE PLATE SCREW (A)	120	BRAKE PLATE HOLDER ASSEMBLY
22	FRONT COVER	67	GEAR SIDE PLATE SCREW (B)	121	SLIDE CAM SPRING (3)
23	FRONT COVER SCREW (A)	69	LUBE PORT CAP	122	SLIDE CAM (M)
24	BALL BEARING	70	LUBE PORT CAP SCREW	123	SLIDE CAM SCREW (3)
25	CRANK SHAFT	71	DRAG SPRING WASHER	124	DIAL CAM (M)
26	IDLER (L) WASHER (A)	72	CLICK HOLDER	125	CLICK SPRING
27	IDLER (L)	73	STAR DRAG	127	LINK PLATE
28	IDLER (L) WASHER (B)	73X	STAR DRAG ASSEMBLY	128	LINK PLATE SCREW
29	BEARING PLATE	74	CLICKER	133	HOOK HOLDER
30	E-RING	75	CLICK PLATE	134	HOOK HOLDER WASHER(OPTIONAL)
31	BEARING PLATE SCREW	76	CLICK PLATE RETIANER	135	HOOK HOLDER SCREW
33	CLUTCH CAM	77	HANDLE WASHER	136	HOOK HOLDER SPRING
34	CLUTCH SPRING	78	HANDLE	141	HOOD
35	KICK LEVER	78X	HANDLE ASSEMBLY	142	HOOD SCREW (4)
36	KICK LEVER SPRING	79	BUSHING	143	FRONT COVER SCREW (B)
37	CAM PLATE	80	HANDLE KNOB	144	LOCK LEVER
38	CLUTCH CAM SCREW	81	BALL BEARING	147	GUIDE PIN
39	PINION YOKE	82	HANDLE KNOB SCREW	148	WASHER
40	PINION GEAR	83	HANDLE KNOB CAP	149	SLIDE PLATE
41	PINION YOKE SPRING (2)	84	HANDLE WASHER	150	SLIDE PLATE SCREW
42	RATCHET	85	HANDLE NUT	151	LOCK LEVER SPRING
43	RATCHET WASHER	86	HANDLE NUT RETAINER	152	COLLAR-K
44	DRIVE GEAR	87	SCREW	153	SPRING PLATE
45	DRAG WASHER(L-3)	88	SPOOL		

Garantía limitada por un año

Lew's® garantiza sus productos¹ para resistir el uso normal² para los fines diseñados y previstos durante la manufactura por un periodo de un (1) año a partir de la fecha de la venta al por menor original al consumidor minorista original. Lew's® reparará o reemplazará³ a su discreción los productos Lew's® cuando se requiera durante el periodo de la garantía y regresará⁴ el producto al propietario sin costo adicional⁵ al mismo. 1Numerosos productos se han fabricado conforme a variaciones del nombre de Lew's® y bajo el logotipo de Lew's® por parte de varios negocios en el transcurso de los últimos 50 años. Esta garantía es específicamente para productos fabricados a nombre de Lew's® de Springfield, Missouri, EE.UU., desde el 1 de enero de 2010. Los productos de Lew's® fabricados por o en nombre de otras entidades antes del 1 de enero de 2010 no están cubiertos por esta garantía. En todos los casos, esta garantía está limitada en valor según el valor de venta al por menor original del producto y está limitado al daño real del producto Lew's® y únicamente al producto Lew's®. 2La pérdida de un producto y pérdida/daño de un producto o piezas debido a un intento de reparación y servicio a un producto de Lew's® por cualquier persona o negocio distinto a Lew's® o un agente de servicio de garantía autorizado de Lew's®, y el daño provocado por o que se derive del abuso, maltrato, falta de mantenimiento recomendado, accidente, actos fortuitos y daños en el envío que ocurren durante el transporte a Lew's® o a un agente autorizado de Lew's® están fuera del alcance de la garantía limitada de Lew's® y será reparado a través de Lew's® después de los servicios de garantía a cargo del consumidor. 3Cualquier producto reemplazado por Lew's® será nuevo o reconstruido por un agente autorizado de Lew's® con el mismo producto o el nuevo modelo del producto. 4Lew's® regresará los productos garantizados al consumidor por un medio razonable según lo determine Lew's®. 5Los servicios urgentes o rápidos son la responsabilidad del consumidor, al igual que enviar el producto a Lew's® o un agente autorizado de Lew's®, para el servicio de la garantía. Lew's® y los agentes de servicio de Lew's® según sean autorizados por Lew's® son los únicos agentes autorizados para reparar o reemplazar los productos Lew's® bajo los términos de esta garantía. Solo los cambios por escrito realizados por un funcionario de Lew's® pueden alterar los términos y condiciones de esta garantía.

Esta garantía le ofrece derechos legales específicos, incluyendo derechos adicionales ampliados por algunos estados que no permiten ciertas exclusiones y limitaciones. Cualquier demanda presentada contra Lew's® para fines de indemnizar una disputa de la garantía deberá presentarse y litigarse en el Estado de Missouri, Condado de Greene.



TLH1SHL, TLH1XHL



11 Bearing System
C45 CARBON

Reel Specifications

Model	Weight (oz.)	Gear Ratio	Line Capacity (yd./lbs.)	RPT* (in.)
TLH1SHL	5.4	7.5:1	110/12	30
TLH1XHL	5.4	8.3:1	110/12	33

*Recovery per turn.

FEATURES:

- 11-bearing system with stainless steel double shielded ball bearings and Zero-Reverse one-way clutch bearing
- One-piece, lightweight Magnesium frame
- Speed Dial line recognition system
- Speed Keeper hook keeper
- Lightweight double anodized aluminum spool
- Lightweight C45 Carbon sideplates
- SpeedCast® externally Adjustable Centrifugal Brake System
- Smooth carbon fiber drag system provides up to 20 lbs. drag power
- Titanium-coated Zirconia line guide
- External lube port

CARACTÉRISTIQUES:

- Système à 11 roulements avec roulements à billes doublement flasqués en acier inoxydable et butée unidirectionnelle antiretour
- Bâti monopiece léger en magnésium
- Système d'identification de fil à cadran
- Porte-hameçon Speed Keeper
- Tambour léger en aluminium doublement anodisé
- Carters en carbone C45 légers
- Système de freinage centrifuge à réglage externe SpeedCast®
- Système de frein en fibre de carbone lisse qui procure jusqu'à 9 kg de force de trainée
- Guide-ligne en zircone enduit de titane
- Port de graissage externe

CARACTERÍSTICAS:

- Sistema de 11 rodamientos con rodamientos de bolas de doble blindaje de acero inoxidable y rodamiento de embrague de un solo sentido Zero-Reverse (anti-retroceso)
- Armazón de magnesio ligero de una sola pieza
- Sistema de reconocimiento de línea Speed Dial
- Portador de anzuelo Speed Keeper
- Bobina de aluminio de doble anodizado ligero
- Placas laterales de carbono C45 ligero
- Sistema de freno centrifugo ajustable desde el exterior SpeedCast®
- Sistema de arrastre de fibra de carbono liso ofrece hasta 9 kg de potencia de arrastre
- Guía de línea de circonio con recubrimiento de titanio
- Puerto de lubricación externo

Speed Spool SLP Baitcast reels are designed to be Super Low Profile. Driven by innovation – Fueled with Passion
Feel the Difference!

Les moulinets à tambour tournant Speed Spool SLP sont conçus à très faible profil. Animé par l'innovation – Inspiré par la passion
Sentez la différence!

Los carretes de lanzamiento de Speed Spool SLP están diseñados para ser de perfil súper bajo. Impulsados por la innovación – Alimentados con pasión
¡Sienta la diferencia!

Caractéristiques techniques du moulinet/Especificaciones del carrete

Model	Poids/Peso (g)	Démultiplication/Relación de los engranajes	Capacité de ligne/Capacidad de la línea (m/kg)	R/TMV / RPT* (cm)
TLH1SHL	153	7.5:1	100.5/5.4	76.2
TLH1XHL	153	8.3:1	100.5/5.4	83.8

*Rotation par tour de moulinet. / *Recuperación por giro.

Performance – Right out of the Box!

Your Speed Spool® reel is designed for performance and functionality. From the way it conforms to your hand, to the way it reacts crisply and effortlessly to your command, you'll know the minute you grab onto your Speed Spool® that you've got a quality reel. Your Speed Spool® reel exploits several new developments which will allow you to set yourself apart from the competition.

High Strength Aluminum Gearing The drive gear, crankshaft, and worm shaft are made of high strength aluminum for increased strength and durability. In addition to these advantages, aluminum provides exceptionally low friction to enhanced efficiency.

Machined Aluminum Spool  **Lightweight Double Anodized Aluminum Spool** The spool on your Lew's® reel has been engineered to maximize casting distance. Anodized to withstand oxidation and abrasion, machined and built for deep capacity.

One-piece Magnesium Frame Your Speed Spool® reel utilizes a one-piece, lightweight Magnesium frame that is both lightweight and strong, so you'll never have to worry about frame torque or twisting.

SPEED DIAL **Line Recognition** Your Speed Spool® reel features a convenient line indicator dial on the spool's tension knob. Quickly recognize what line type and line weight you have loaded on your reel.

SPEED KEEPER® **Hook Keeper** The innovative Speed Keeper® hook keeper gives convenience a whole new meaning. Swing it out and secure your hook, swing it back and it conveniently tucks back under the reel when not in use.

ZERO ^{REVERSE} **Bearing** The handle on your Speed Spool® reel will only rotate forward for rock solid hook setting. When you release the handle it will hold its position because of the Zero-Reverse bearing, never losing an inch on your catch; an invaluable property to have when you're pulling it in.

SpeedCast® **ACB** **Externally Adjustable Centrifugal Brake System** The SpeedCast® Adjustable Centrifugal Brake System delivers an extreme range of braking power from free spool to maximum by simply clicking its external dial to choose among 27 variable settings. The ACB system puts you in control of your casts, perfectly aligning brake power to conditions. With this system you will have more casting control over light lures, while maximizing casting distance with all lures.

Cast Control System A second feature exits to prevent backlash, the Cast Control System. An adjustment knob is found next to the star drag. The function saddles the spool shaft with steady pressure in order to stabilize spool speed.

To calibrate the system, reel your lure in until it rests on the tip of the rod, then tighten the knob until taut. Depress the thumb bar, and holding the rod horizontally loosen the knob slowly until the lure begins to descend. The spool should continue to spin after the lure contacts the ground, but should not complete more than one full rotation. If the spool does not continue to spin, the knob is too tight. If the spool completes more than one rotation, the knob is too loose. Repeat until you have achieved the desired results.

winn **Bowed 95MM Carbon Fiber Winn® Handle** Our 95 mm bowed carbon fiber handle will give you all the cranking power you need. The Winn® Dri-tac handle knobs are an added bonus known for a comfortable grip for all day fishing.

Performant – Immédiatement!

Votre moulinet Speed Spool® a été conçu en pensant à la performance et à la fonctionnalité. Dès que vous saisissez le moulinet Speed Spool®, vous savez qu'il s'agit d'un produit de qualité par sa prise en main parfaite et sa façon de réagir avec précision et sans effort à la commande. Le moulinet Speed Spool® tire parti d'avancées récentes qui vous permettront de vous démarquer.

Engrenage en aluminium à haute résistance Le pignon d'entraînement, le vilebrequin et l'arbre de vis sans fin sont fabriqués en aluminium à haute résistance pour une force et une durabilité accrues. En plus de ces avantages, l'aluminium ne produit qu'une très faible friction pour une efficacité améliorée.

Tambour usiné en aluminium  **Tambour léger en aluminium doublement anodisé** Le tambour du moulinet Lew's® a été conçu pour maximiser la distance du lancer. Anodisé pour résister à l'oxydation et l'abrasion, usiné et construit pour une grande capacité.

Bâti monopiece en magnésium Le moulinet Speed Spool® est doté d'un bâti monopiece en magnésium, qui est à la fois léger et robuste. Ainsi, vous ne craindrez jamais que le bâti se torde ou gauchisse.

SPEED DIAL **Identification de fil** Le moulinet Speed Spool® est doté pour votre commodité d'un indicateur de fil à cadran sur le bouton de tension. Il permet de reconnaître le type et le poids du fil que vous avez chargé sur votre moulinet.

SPEED KEEPER® **Porte-hameçon** Le porte-hameçon innovant Speed Keeper® redéfinit la commodité. Faites-le pivoter vers l'extérieur et fixez-y votre hameçon, puis ramenez-le pour le ranger commodément sous le moulinet lorsqu'il n'est pas utilisé.

ZERO ^{REVERSE} **Butée antiretour** La poignée du moulinet Speed Spool® tourne uniquement vers l'avant pour préparer l'hameçon solidement. Lorsque vous relâchez la poignée, celle-ci garde sa position en raison de la butée antiretour; vous ne perdez pas même un centimètre sur votre prise, un attribut enviable lorsque vous ramenez le poisson.

SpeedCast® **ACB** **Système de freinage centrifuge à réglage externe** Le système de freinage centrifuge réglable SpeedCast® procure une plage extrême de freinage du tambour, de la rotation libre au réglage maximum en cliquant simplement sur le cadran externe pour sélectionner l'un des 27 réglages variables. Le système ACB vous procure une excellente maîtrise de vos lancers, en alignant à la perfection la puissance de freinage aux conditions de pêche. Grâce à ce système, vous maîtriserez de manière plus précise les lancers avec leurs légers lestés, tout maximisant la distance de lancer avec tous les leurres.

Système de contrôle du lancer Le système de contrôle du lancer est une deuxième fonction contribuant à prévenir les perruques. Un bouton de réglage se trouve en regard du frein étoile. Il serre l'axe du tambour en exerçant une pression constante de manière à stabiliser la vitesse de ce dernier.

Pour étalonner le système, ramenez votre leurre jusqu'à ce qu'il repose sur l'extrémité de la canne, puis serrez fermement le bouton. Enfoncez le bouton à coulisse et en tenant la canne à l'horizontale, relâchez lentement le bouton jusqu'à ce que le leurre commence à descendre. Le tambour devrait continuer de tourner après que le leurre a touché le sol, sans toutefois effectuer plus d'une rotation complète. Si le tambour ne continue pas de tourner, le réglage du bouton est trop serré. Si le tambour effectue plus d'un tour, le réglage du bouton est trop lâche. Répétez cette méthode jusqu'à ce que vous atteigniez le résultat souhaité.

winn **Poignée courbée de 95 mm en fibre de carbone Winn®** Notre poignée courbée de 95 mm en fibre de carbone vous procure toute la puissance nécessaire pour actionner la manivelle. Les boutons Winn® Dri-Tac vous permettent en plus de manipuler le moulinet en tout confort et avec aisance lors des longues journées de pêche.

ATTENTION BRAIDED LINE USERS!

If your Lew's® Baitcast reel has pre-drilled holes in the spool, you may tie your braid directly to the spool, by passing the braid thru the provided holes and tying a uni-knot.

If your Lew's® baitcast reel does not have pre-drilled holes in the spool, you will need to first tie on and spool at least 20 revolutions of monofilament line, and then tie your braided line to the monofilament line, with either a back-to-back uni-knot or an Albright knot.

Continue to spool your reel as normal, keeping strong tension on the line to ensure the line is firmly wound onto the spool to keep from "digging in" to underlying line layers when pressure is put on the line from fighting fish.

FAILURE TO PROPERLY SPOOL BRAIDED LINE ONTO YOUR REELS SPOOL WILL RESULT IN LINE SLIPPAGE, AND THE IMPRESSION YOUR DRAG IS NOT WORKING PROPERLY.

ATTENTION! UTILISATEURS DE FIL TRESSÉ

Si le tambour de votre moulinet à tambour roulant Lew's® est doté d'orifices prépercés, vous pouvez attacher la tresse directement au tambour en la passant par les orifices fournis et en faisant un uninoeud.

Si le tambour de votre moulinet à tambour roulant Lew's® n'est pas doté d'orifices prépercés, vous devrez attacher et embobiner au moins 20 tours de fil monofilament, puis attacher le fil tressé au fil monofilament par un uninoeud consécutif ou un noeud Albright.

Continuez d'embobiner votre moulinet comme à l'habitude, en gardant une forte tension sur le fil de manière à ce qu'il s'enroule fermement sur le tambour. Vous éviterez ainsi que le fil « s'enfonce » dans les couches de fil sous-jacentes lorsqu'une tension s'exerce sur la ligne en combattant le poisson.

L'ENROULEMENT INADÉQUAT DU FIL TRESSÉ SUR LE TAMBOUR DU MOULINET ENTRAÎNERA UN GLISSEMENT DU FIL, CE QUI POURRAIT VOUS DONNER L'IMPRESSION QUE LE FREIN NE FONCTIONNE PAS CORRECTEMENT.

¡ATENCIÓN USUARIOS DE SEDAL TRENZADO!

Si su carrete de lanzamiento Lew's® tiene agujeros previamente barrenados en la bobina, puede amarrar la trenza directamente a la bobina, pasándola por los agujeros suministrados y haciendo un nudo UNI.

Si su carrete de lanzamiento Lew's® no tiene agujeros previamente barrenados en la bobina, necesitará primero amarrar y bobinar al menos 20 revoluciones del sedal de monofilamento para luego amarrar el sedal trenzado al sedal de monofilamento con un nudo UNI doble o un nudo Albright.


Continúe bobinando su carrete como lo haría normalmente, manteniendo una fuerte tensión en el sedal a fin de asegurarse de que el sedal esté firmemente enrollado en la bobina y evitar que se "entierre" en las capas de sedal subyacente cuando aplique presión al pelear con un pez.

NO BOBINAR CORRECTAMENTE UN SEDAL TRENZADO EN LA BOBINA DEL CARRETE PROVOCARÁ QUE EL SEDAL SE RESBALE Y DARÁ LA IMPRESIÓN DE QUE EL ARRASTRE NO FUNCIONA CORRECTAMENTE.

Desempeño – ¡Listo para usarse!

Su carrete Speed Spool® está diseñado para ofrecer un gran desempeño y funcionalidad. Desde la manera en que se amolda a su mano, hasta la reacción directa y fácil a sus órdenes, en el momento en el que empuña su Speed Spool® usted sabe que tiene un carrete de calidad. Su carrete Speed Spool® aprovecha varios nuevos avances que le permitirán distinguirse de la competencia.

Engranajes de aluminio de alta resistencia El engranaje impulsor, el cigüeñal y el eje helicoidal están hechos de aluminio de alta resistencia para mayor resistencia y durabilidad. Además de estas ventajas, el aluminio ofrece una fricción excepcionalmente baja para una eficiencia mejorada.

Carrete de aluminio maquinado  **Bobina de aluminio de doble anodizado ligero** La bobina de su carrete Lew's® se ha diseñado para maximizar la distancia del lanzamiento. Anodizada para soportar la oxidación y abrasión, maquinada y construida para ofrecer una capacidad profunda.

Armazón de magnesio de una sola pieza Su carrete Speed Spool® utiliza un armazón de magnesio ligero de una sola pieza que es ligero y resistente, por lo que nunca tendrá que preocuparse de torcer el armazón.

SPEED DIAL **Reconocimiento de sedal** Su carrete Speed Spool® incluye un práctico disco indicador de sedal en la perilla de tensión de la bobina. Reconozca rápidamente qué tipo y peso de sedal ha cargado en su carrete.

SPEED KEEPER® **Portador de anzuelo** El innovador portador de anzuelo Speed Keeper® le da un significado completamente nuevo a la palabra comodidad. Láncelo y asegure su anzuelo, recójalo y guárdelo cómodamente abajo del carrete cuando no esté en uso.

ZERO ^{REVERSE} **Rodamiento anti-retroceso** La manivela de su carrete Speed Spool® girará únicamente hacia adelante en un ajuste de anzuelo increíblemente sólido. Al soltar la manivela, esta conservará su posición debido al rodamiento Zero-Reverse (anti-retroceso), sin perder nunca una pulgada ante su presa; es una propiedad invaluable al enrollar el carrete.

SpeedCast® **ACB** **Sistema de freno centrifugo ajustable desde el exterior** El sistema de freno centrifugo ajustable SpeedCast® ofrece un rango extremo de poder de frenado desde bobina libre hasta el máximo simplemente girando el disco externo para elegir entre los 27 ajustes variables. El sistema ACB le permite tener sus lanzamientos bajo control, alineando perfectamente el poder de frenado con las condiciones. Con este sistema tendrá más control del lanzamiento de señuelos ligeros, al tiempo que maximiza la distancia del lanzamiento con todos los señuelos.

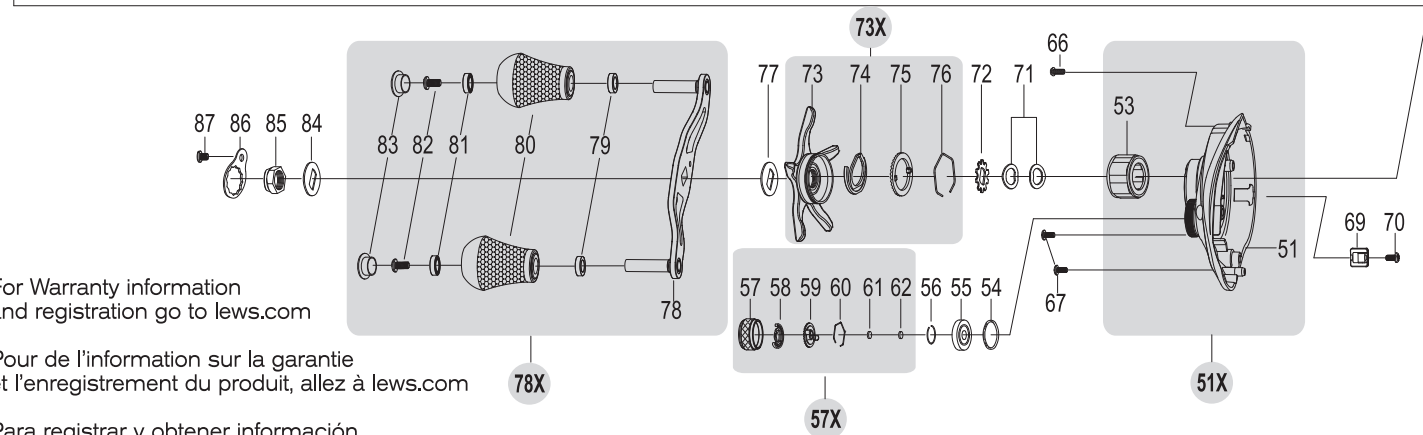
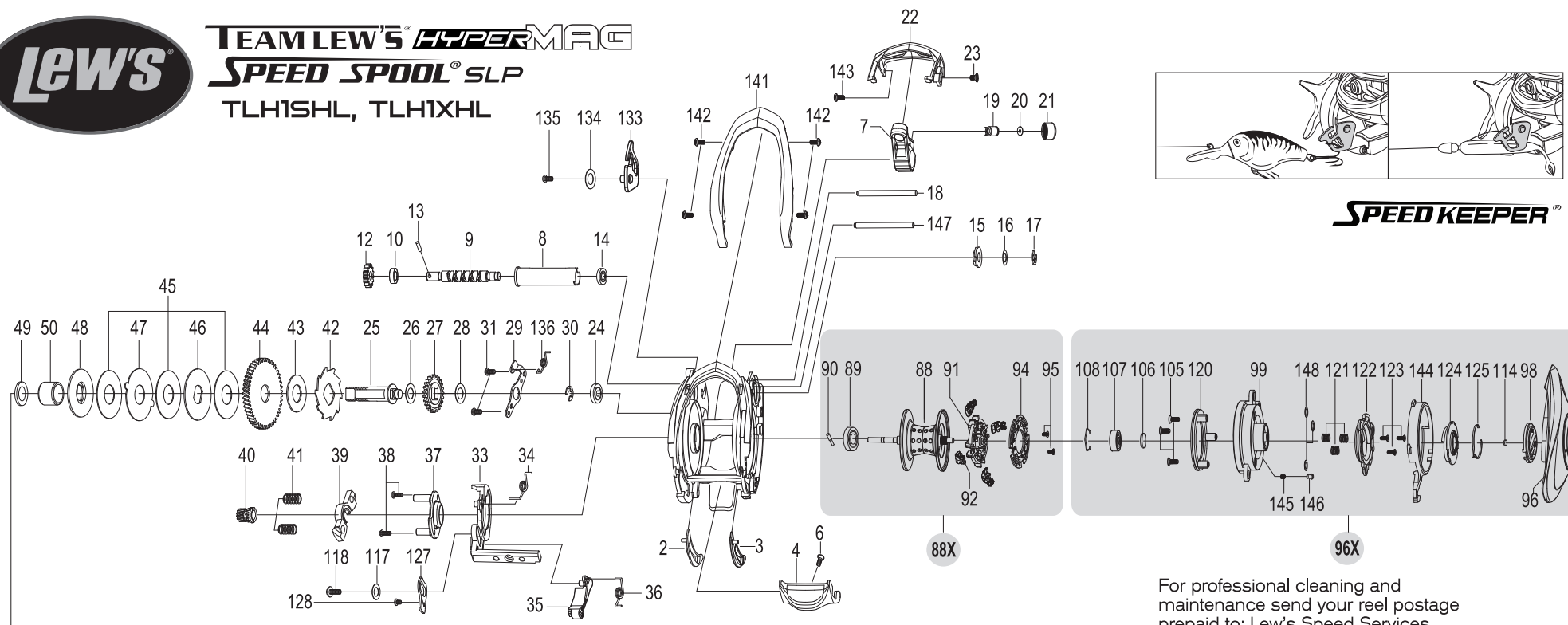
Sistema de control de lanzamiento Existe una segunda función para evitar el contragolpe, el sistema de control del lanzamiento. Hay una perilla de ajuste junto al arrastre de estrella. La función aplica presión constante al eje de la bobina a fin de estabilizar la velocidad de la bobina.

Para calibrar el sistema, bobine el señuelo hasta que descance en la punta de la caña; luego, apriete la perilla hasta tensarla. Presione la barra para el pulgar y, sosteniendo la caña horizontal, afloje la perilla lentamente hasta que el señuelo comience a descender. La bobina debe continuar girando después de que el señuelo tenga contacto con el suelo, pero no debe completar más de una rotación completa. Si la bobina no continúa girando, la perilla está demasiado apretada. Si la bobina completa más de una rotación, la perilla está suelta. Repita el procedimiento hasta obtener los resultados deseados.

winn **Manivela arqueada de fibra de carbono de 95 mm Winn®.** Nuestra manivela arqueada de fibra de carbono de 95 mm le dará todo el poder giratorio que necesita. Las perillas Dri-Tac de Winn® son un beneficio adicional; estas perillas son conocidas por ofrecer un ajuste cómodo y fácil para un día completo de pesca.



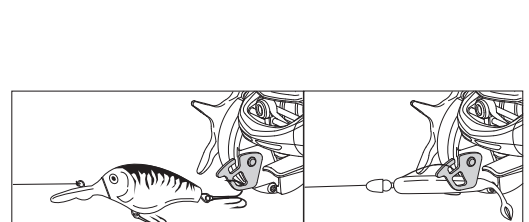
TEAM LEW'S *HYPERMAG*
SPEED SPOOL® SLP
TLH1SHL, TLH1XHL



For Warranty information and registration go to lews.com

Pour de l'information sur la garantie et l'enregistrement du produit, allez à lews.com

Para registrar y obtener información de la garantía, visite lews.com



SPEED KEEPER®

For professional cleaning and maintenance send your reel postage prepaid to: Lew's Speed Services
Phone: 877-470-5397
FAX: 1-417-881-5387
lews.com

Pour le nettoyage et l'entretien professionnels de votre moulinet, envoyez-le à (frais de retour prépayés) : Lew's Speed Services
Téléphone : 877 470-5397
Télécopieur : 1 417 881-5387
lews.com

Para obtener una limpieza y mantenimiento profesional, envíe su carrete con franqueo prepago a: Lew's Speed Services
Teléfono: 877-470-5397
FAX: 1-417-881-5387
lews.com

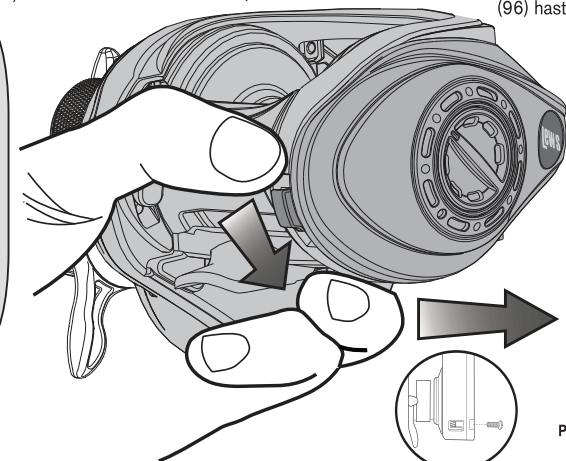


fig 1 To remove palming sideplate slide down lever (144) and pull sideplate off (96).

Pour enlever le carter, glissez le levier vers le bas (144) et tirez sur le carter pour l'extraire (96).

Para quitar la placa lateral de palma, deslice la palanca (144) hacia abajo y jale la placa lateral (96) hasta quitarla.

1. TO OPEN, slide down lever (144).
1. POUR OUVRIR, glissez le levier vers le bas (144).
1. PARA ABRIR, deslice la palanca (144) hacia abajo.



2. Pull sideplate (96).
2. Tirer sur le carter (96).
2. Jale la placa lateral (96)

LUBE PORT
PORT DE GRAISSAGE
PUERTO DE LUBRICACIÓN

Maintenance and Care
When applying lubricant to your Speed Spool reel, avoid using multi-purpose oil. Use lightweight oils or greases made for fishing reels. Apply oil to all bearings, the crankshaft and the worm gear. Apply grease to the bushings, pinion gears, drive gears, and crank gears.

After usage, your reel should be inspected for dirt or sand and cleaned if excessive build-up is present. If your reel has come in contact with saltwater it is important to flush all parts with water, dry and re-lubricate your reel. Through diligent cleaning and maintenance your Lew's reel will provide you with years of reliability and sound performance.

Entretien et soin
Lors du graissage de votre moulinet Speed Spool, évitez d'utiliser une huile à usages multiples. Utilisez des huiles ou des graisses légères prévues pour les moulinets de canne à pêche. Appliquez l'huile à tous les roulements, au vilebrequin et à la vis sans fin. Appliquez la graisse aux bagues de palier, aux engrénages à pignons, aux pignons d'entraînement et au vilebrequin.

Après l'avoir utilisé, le moulinet doit être inspecté pour déceler toute trace de saleté ou de sable, et nettoyé en cas d'accumulation excessive. Si votre moulinet a été en contact avec de l'eau de mer, il est important de rincer tous ses éléments à l'eau douce, de le sécher et de le lubrifier de nouveau. Avec des nettoyages et un entretien diligents, votre moulinet Lew's vous procurera des années de fonctionnement fiable et performant.

Mantenimiento y cuidado
Al aplicar lubricante a su carrete Speed Spool, evite usar aceite multiusos. Use aceites o grasas ligeras hechas para carretes de pesca. Aplique aceite a todos los rodamientos, el cigüeñal y el engranaje helicoidal. Aplique grasa a los bujes, engranajes de piñón, engranajes impulsores y engranajes del cigüeñal.

Después de usarlo, debe inspeccionar que el carrete no tenga polvo o arena, y limpiarlo si hay una acumulación excesiva. Si su carrete ha tenido contacto con agua salada, es importante enjuagar todas las piezas con agua y volver a lubricar el carrete. Mediante una limpieza y mantenimiento diligente, su carrete Lew's le proporcionará años de confiabilidad y desempeño sin problemas.

For Warranty information and registration go to lews.com

Pour de l'information sur la garantie et l'enregistrement du produit, allez à lews.com

Para registrar y obtener información de la garantía, visite lews.com

KEY #	PART NAME	KEY #	PART NAME	KEY #	PART NAME
1	FRAME ASSEMBLY	46	DRAG WASHER(D1)	88X	SPOOL ASSEMBLY
2	CLUTCH BAR PLATE-R	47	DRAG WASHER (A)	89	BALL BEARING
3	CLUTCH BAR PLATE-L	48	DRAG WASHER (D2)	90	PIN
4	CLUTCH BAR	49	SLEEVE WASHER (OPTIONAL)	91	BRAKE HOLDER
6	CLUTCH BAR SCREW	50	SLEEVE	92	BRAKE SHOE ASSEMBLY (4)
7	LEVEL WIND ASSEMBLY	51	GEAR SIDE PLATE	94	BRAKE HOLDER PLATE
8	PIPE	51X	GEAR SIDE PLATE ASSEMBLY	95	BRAKE HOLDER PLATE SCREW (2)
9	WORM SHAFT	53	ONE-WAY CLUTCH	96	PALM SIDE PLATE
10	BALL BEARING	54	O-RING	96X	PALM SIDE PLATE ASSEMBLY
12	IDLER(S)	55	BALL BEARING	98	CONTROL DIAL
13	WORM SHAFT PIN	56	BEARING RETAINER	99	SPPOOL COVER
14	BALL BEARING	57	CAST CONTROL CAP	105	SPOOL COVER SCREW (3)
15	WORM SHAFT BUSHING (B)	57X	CAST CONTROL CAP ASSEMBLY	106	SPOOL SPACER (A)
16	WORM SHAFT WASHER (OPTIONAL)	58	CLICKER	107	BALL BEARING
17	E-RING	59	CLICK PLATE	108	BEARING RETAINER
18	PILLAR	60	CLICK PLATE RETIANER	114	WASHER (OPTIONAL)
19	LEVEL WIND PIN	61	TENSION WASHER	117	CLUTCH WASHER
20	SPACER (OPTIONAL)	62	SPOOL SPACER (B)	118	CLUTCH SCREW
21	LEVEL WIND NUT	66	GEAR SIDE PLATE SCREW (A)	120	BRAKE PLATE HOLDER ASSEMBLY
22	FRONT COVER	67	GEAR SIDE PLATE SCREW (B)	121	SLIDE CAM SPRING (3)
23	FRONT COVER SCREW (A)	69	LUBE PORT CAP	122	SLIDE CAM (M)
24	BALL BEARING	70	LUBE PORT CAP SCREW	123	SLIDE CAM SCREW (3)
25	CRANK SHAFT	71	DRAG SPRING WASHER	124	DIAL CAM (M)
26	IDLER (L) WASHER (A)	72	CLICK HOLDER	125	CLICK SPRING
27	IDLER (L)	73	STAR DRAG	127	LINK PLATE
28	IDLER (L) WASHER (B)	73X	STAR DRAG ASSEMBLY	128	LINK PLATE SCREW
29	BEARING PLATE	74	CLICKER	133	HOOK HOLDER
30	E-RING	75	CLICK PLATE	134	HOOK HOLDER WASHER(OPTIONAL)
31	BEARING PLATE SCREW	76	CLICK PLATE RETIANER	135	HOOK HOLDER SCREW
33	CLUTCH CAM	77	HANDLE WASHER	123	SLIDE CAM SPRING
34	CLUTCH SPRING	78	HANDLE	141	HOOD
35	KICK LEVER	78X	HANDLE ASSEMBLY	142	HOOD SCREW (4)
36	KICK LEVER SPRING	79	BUSHING	143	FRONT COVER SCREW (B)
37	CAM PLATE	80	HANDLE KNOB	144	LOCK LEVER
38	CLUTCH CAM SCREW	81	BALL BEARING	147	GUIDE PIN
39	PINION YOKE	82	HANDLE KNOB SCREW	148	WASHER
40	PINION GEAR	83	HANDLE KNOB CAP	149	SLIDE PLATE
41	PINION YOKE SPRING (2)	84	HANDLE WASHER	150	SLIDE PLATE SCREW
42	RATCHET	85	HANDLE NUT	151	LOCK LEVER SPRING
43	RATCHET WASHER	86	HANDLE NUT RETAINER	152	COLLAR-K
44	DRIVE GEAR	87	SCREW	153	SPRING PLATE
45	DRAG WASHER(L-3)	88	SPOOL		

LÉG.	NOM DE LA PIÈCE	LÉG.	NOM DE LA PIÈCE	LÉG.	NOM DE LA PIÈCE
1	ASSEMBLAGE DU BÂTI	46	RONDELLE DE FREIN (D1)	88X	ASSEMBLAGE DU TAMBOUR
2	PLATEAU D'EMBRAYAGE-R	47	RONDELLE DE FREIN (A)	89	ROULEMENT À BILLES
3	PLATEAU D'EMBRAYAGE-L	48	RONDELLE DE FREIN (D2)	90	GOUPILLE
4	EMBRAYAGE	49	RONDELLE DE BAGUE (FACULTATIF)	91	SUPPORT DE FREIN
6	VIS D'EMBRAYAGE	50	BAGUE	92	ASSEMBLAGE DU SABOT DE FREIN (4)
7	ASSEMBLAGE DU DISPOSITIF D'ENROULEMENT UNIFORME	51	CARTER DU CÔTÉ ENGRENAGE	94	PLAQUE DE SUPPORT DE FREIN
8	TUBE	51X	ASSEMBLAGE DU CARTER DU CÔTÉ ENGRENAGE	95	VIS DE PLAQUE DE SUPPORT DE FREIN (2)
9	ARBRE DE VIS SANS FIN	53	EMBRAYAGE UNIDIRECTIONNEL	96	CARTER DU CÔTÉ PAUME
10	ROULEMENT À BILLES	54	JOINT TORIQUE	96X	ASSEMBLAGE DU CARTER DU CÔTÉ PAUME
12	POULIE(S)	55	ROULEMENT À BILLES	98	CADRAN DE RÉGLAGE
13	GOUPILLE DE VIS SANS FIN	56	RETENUE DE ROULEMENT	99	COUVERCLE DE TAMBOUR
14	ROULEMENT À BILLES	57	CAPUCHON DU SYSTÈME DE CONTRÔLE DU LANCER	105	VIS DE COUVERCLE DE TAMBOUR (3)
15	BAGUE D'ARBRE DE VIS SANS FIN (B)	57X	ASSEMBLAGE DU CAPUCHON DU SYSTÈME DE CONTRÔLE DU LANCER	106	ENTRETOISE DE TAMBOUR (A)
16	RONDELLE D'ARBRE DE VIS SANS FIN (FACULTATIF)	58	CLIQUET	107	ROULEMENT À BILLES
17	ANNEAU DE RETENUE DE TYPE E	59	BUTÉE DE CLIQUET	108	RETENUE DE ROULEMENT
18	MONDANT	60	RETENUE DE BUTÉE DE CLIQUET	114	RONDELLE (FACULTATIF)
19	GOUPILLE DU DISPOSITIF D'ENROULEMENT UNIFORME	61	RONDELLE DE TENSION	117	RONDELLE D'EMBRAYAGE
20	ENTRETOISE (FACULTATIF)	62	ENTRETOISE DE TAMBOUR (B)	118	VIS D'EMBRAYAGE
21	ÉCROU DU DISPOSITIF D'ENROULEMENT UNIFORME	66	VIS DE BOUCHON DE PORT DE GRAISSAGE (A)	120	ASSEMBLAGE DU SUPPORT DE LA PLAQUE DE FREIN
22	COUVERCLE AVANT	67	VIS DE CARTER DU CÔTÉ ENGRENAGE (B)	121	RESSORT DE CAME DE GLISSEMENT (3)
23	VIS DU COUVERCLE AVANT (A)	69	BOUCHON DE PORT DE GRAISSAGE	122	CAME DE GLISSEMENT (M)
24	ROULEMENT À BILLES	70	VIS DE BOUCHON DE PORT DE GRAISSAGE	123	ROULEMENT À BILLES
25	VILEBREQUIN	71	RONDELLE ÉLASTIQUE DE FREIN	124	CAME À CADRAN (M)
26	RONDELLE (A) DE POULIE (L)	72	SUPPORT DE CLIQUET	125	RESSORT DE CLIQUET
27	POULIE (L)	73	FREIN ÉTOILE	127	PLAQUE DE LIAISON
28	RONDELLE (B) DE POULIE (L)	73X	ASSEMBLAGE DU FREIN ÉTOILE	128	VIS DE PLAQUE DE LIAISON
29	PLAQUE DE SUPPORT	74	CLIQUET	133	PORTE-HAMEÇON
30	ANNEAU DE RETENUE DE TYPE E	75	BUTÉE DE CLIQUET	134	RONDELLE DE PORTE-HAMEÇON (FACULTATIF)
31	VIS DE PLAQUE DE SUPPORT	76	RETENUE DE BUTÉE DE CLIQUET	135	VIS DE PORTE-HAMEÇON
33	CAME D'EMBRAYAGE	77	RONDELLE DE POIGNÉE	136	RESSORT DE PORTE-HAMEÇON
34	RESSORT DE RETENUE	78	POIGNÉE	141	CAPOT
35	DOIGT D'EMBRAYAGE	78X	ASSEMBLAGE DE LA POIGNÉE	142	VIS DE CAPOT (4)
36	RESSORT DE DOIGT D'EMBRAYAGE	79	PALIER	143	VIS DU COUVERCLE AVANT (B)
37	DISQUE GUIDE	80	BOUTON DE POIGNÉE	144	LEVIER DE VERROUILLAGE
38	VIS DE CAME D'EMBRAYAGE	81	ROULEMENT À BILLES	147	GOUPILLE GUIDE
39	ÉTRIER DE PIGNON	82	VIS DE BOUTON DE POIGNÉE	148	RONDELLE
40	ENGRENAGE À PIGNONS	83	CAPUCHON DE BOUTON DE POIGNÉE	149	GLISSIÈRE
41	RESSORT D'ÉTRIER DE PIGNON (2)	84	RONDELLE DE POIGNÉE	150	VIS DE GLISSIÈRE
42	ROCHET	85	ÉCROU DE POIGNÉE	151	RESSORT DE LEVIER DE BLOCAGE
43	RONDELLE À ROCHET	86	RETENUE D'ÉCROU DE POIGNÉE	152	COLLIER-K
44	PIGNON D'ENTRAÎNEMENT	87	VIS	153	COUPELLE DE RESSORT
45	RONDELLE DE FREIN (L-3)	88	TAMBOUR		

One Year Limited Warranty

Lew's® warrants its products to withstand normal use for the purpose designed and intended when manufactured for a period of one (1) year from the original retail sale date to the original retail consumer. Lew's® will at its option repair or replace Lew's® products when required for the warranty period and return the product to the owner at no additional cost to the owner. 1.Numerous products have been manufactured under variations of the Lew's® name and under the Lew's® Logo by multiple businesses over the past 50 years. This warranty is specifically for products manufactured on behalf of Lew's® of Springfield, Missouri USA since January 1, 2010. Lew's® products manufactured by or on behalf of other entities prior to January 1, 2010 are not covered by this warranty. In all circumstances, this Warranty is Limited in Value to the original retail value of the product and is limited to actual damage to the Lew's® product and only the Lew's® product. 2.Loss of a product, and loss/damage of a product or parts due to the attempted repair or servicing of a Lew's® product by any person or business other than Lew's® or Lew's® Authorized Warranty Service Agent, and damage caused by or resulting from abuse, misuse, lack of recommended maintenance, accident, acts of God, and shipping damages occurring in transit to Lew's® or Lew's® Authorized Agent are outside the scope of Lew's® Limited Warranty and will be repaired through Lew's® after warranty services at the expense of the consumer. 3.Any products replaced by Lew's® will be new or remanufactured by a Lew's® Authorized Agent with the same or next model upgrade product. 4.Lew's® will return warranted products to the consumer by reasonable means as determined by Lew's®. 5.Express or expedited services are the responsibility of the consumer as is sending the product to Lew's® or Lew's® Authorized Agent, for Warranty Service. Lew's® and Lew's® Service Agents as authorized by Lew's® are the sole agents authorized to repair or replace Lew's® products under the terms of this warranty. Only written changes by an officer of Lew's® can alter the terms or conditions of this warranty.

This warranty gives you specific legal rights including additional rights extended by some states which do not allow certain exclusions and limitations. Any action brought against Lew's® for the purpose of settling a warranty dispute shall be brought and litigated in the State of Missouri, County of Greene.

Garantie limitée de 1 an

Lew's® garantit que ses produits résisteront à une utilisation normale selon l'usage prévu au moment de leur fabrication, pour une période d'un (1) an à compter de la date d'achat originale par le consommateur original. Lew's®, à sa discrétion, réparera ou remplacera les produits Lew's® défectueux dans la période de garantie, et retournera sans frais supplémentaires le ou les produits à son propriétaire. 1.De nombreux produits ont été fabriqués sous diverses variations de la marque Lew's® et sous le logo Lew's® par de multiples entreprises au cours des 50 dernières années. Cette garantie s'applique exclusivement aux produits fabriqués au nom de Lew's® à Springfield, au Missouri, États-Unis, depuis le 1er janvier 2010. Les produits Lew's® fabriqués par d'autres entreprises ou au nom d'autres entreprises avant le 1er janvier 2010 ne sont pas couverts par cette garantie. En toutes circonstances, cette garantie se limite à la valeur originale au détail du produit et aux dommages au produit Lew's® exclusivement. 2.La perte d'un produit et les dommages à un produit ou à des pièces d'un produit Lew's® en raison d'une tentative de service ou de réparation par toute autre personne ou entreprise que Lew's® ou un agent autorisé de service sous garantie Lew's®, de même que les dommages causés par un abus, une mauvaise utilisation, le manquement à effectuer l'entretien recommandé, des accidents, des catastrophes naturelles ou des dommages se produisant pendant le transport vers Lew's® ou un agent autorisé de Lew's® échappent à la portée de la garantie limitée Lew's®. De tels dommages seront réparés aux frais du consommateur par les services après-vente Lew's®. 3.Tout produit défectueux sera remplacé par Lew's® par un produit neuf ou remis à neuf par un agent autorisé de Lew's®, d'un modèle identique au produit original ou plus récent. 4.Lew's® retournera les produits sous garantie au consommateur par des moyens raisonnables déterminés par Lew's®. 5.Le consommateur assumera les frais de service accéléré ou rapide de même que ceux associés à l'envoi du produit à Lew's® ou à un agent autorisé de Lew's® afin d'obtenir un service sous garantie. Lew's® ou les agents de service autorisés Lew's® sont les seuls agents autorisés à réparer ou remplacer les produits Lew's® en vertu des conditions de cette garantie. Seuls les changements écrits apportés par un représentant de Lew's® peuvent modifier les modalités ou conditions de cette garantie.

Cette garantie confère à l'acheteur des droits particuliers. Certains États peuvent également lui conférer d'autres droits qui interdisent certaines exclusions et restrictions. Toute poursuite intentée contre Lew's® aux fins de régler un litige associé à la garantie sera portée devant les tribunaux de l'État du Missouri dans le comté de Greene.

Garantía limitada por un año

Lew's® garantiza sus productos para resistir el uso normal para los fines diseñados y previstos durante la manufactura por un periodo de un (1) año a partir de la fecha de la venta al por menor original al consumidor minorista original. Lew's® reparará o reemplazará a su discreción los productos Lew's® cuando se requiera durante el periodo de la garantía y regresará el producto al propietario sin costo adicional al mismo. 1.Numerous products se han fabricado conforme a variaciones del nombre de Lew's® y bajo el logotipo de Lew's® por parte de varios negocios en el transcurso de los últimos 50 años. Esta garantía es específicamente para productos fabricados a nombre de Lew's® de Springfield, Missouri, EE.UU., desde el 1 de enero de 2010. Los productos de Lew's® fabricados por o en nombre de otras entidades antes del 1 de enero de 2010 no están cubiertos por esta garantía. En todos los casos, esta garantía está limitada en valor según el valor de venta al por menor original del producto y está limitado al daño real del producto Lew's® y únicamente al producto Lew's®. 2.La pérdida de un producto y pérdida/daño de un producto o piezas debido a un intento de reparación y servicio a un producto de Lew's® por cualquier persona o negocio distinto a Lew's® o un agente de servicio de garantía autorizado de Lew's®, y el daño provocado por o que se derive del abuso, maltrato, falta de mantenimiento recomendado, accidente, actos fortuitos y daños en el envío que ocurren durante el transporte a Lew's® o a un agente autorizado de Lew's® están fuera del alcance de la garantía limitada de Lew's® y será reparado a través de Lew's® después de los servicios de garantía a cargo del consumidor. 3.Cualquier producto reemplazado por Lew's® será nuevo o reconstruido por un agente autorizado de Lew's® con el mismo producto o el nuevo modelo del producto. 4.Lew's® regresará los productos garantizados al consumidor por un medio razonable según lo determine Lew's®. 5.Los servicios urgentes o rápidos son la responsabilidad del consumidor, al igual que enviar el producto a Lew's® o un agente autorizado de Lew's®, para el servicio de la garantía. Lew's® y los agentes de servicio de Lew's® según sean autorizados por Lew's® son los únicos agentes autorizados para reparar o reemplazar los productos Lew's® bajo los términos de esta garantía. Solo los cambios por escrito realizados por un funcionario de Lew's® pueden alterar los términos y condiciones de esta garantía.

Esta garantía le ofrece derechos legales específicos, incluyendo derechos adicionales ampliados por algunos estados que no permiten ciertas exclusiones y limitaciones. Cualquier demanda presentada contra Lew's® para fines de indemnizar una disputa de la garantía deberá presentarse y litigarse en el Estado de Missouri, Condado de Green.

TLH1SH

Key #	Description	Order ID #		Key #	Description	Order ID #
1	FRAME	DY-103830010		69	LUBE PORT CAP	DY-101698240
2	CLUTCH BAR PLATE-R	DY-102881010		70	LUBE PORT CAP SCREW	DY-101507030
3	CLUTCH BAR PLATE-L	DY-102882010		71	DRAG SPRING WASHER	DY-100088010
4	CLUTCH BAR ASSEMBLY	DY-102883060		72	CLICK HOLDER	DY-101765010
6	CLUTCH BAR SCREW	DY-101507040		73X	STAR DRAG COMPLETE	DY-U02932382
7	LEVEL WIND ASSEMBLY	DY-103522020		74	CLICK LEAF SPRING	DY-101763010
8	PIPE	DY-103286010		75	CLICK PLATE-B	DY-101764010
9	WORM SHAFT	DY-103287010		76	CLICK PLATE RETAINER	DY-101766011
10	BALL BEARING	DY-102954010		77	HANDLE WASHER	DY-100933010
11	WORM SHAFT BUSHING-A	DY-102438010		78X	HANDLE COMPLETE	DY-104104010
12	IDLER-S	DY-100019010		79	BALL BEARING	DY-102950010
13	WORM SHAFT PIN	DY-100020010		80	HANDLE KNOB	DY-103630040
14	BALL BEARING	DY-102954010		81	BALL BEARING	DY-102950010
16	WORM SHAFT WASHER	DY-100539010		82	HANDLE KNOB SCREW	DY-100180010
17	E-RING	DY-100047010		83	HANDLE KNOB CAP	DY-102309061
18	PILLAR	DY-102711020		84	HANDLE WASHER	DY-100933010
19	LEVEL WIND PIN	DY-100464011		85	HANDLE NUT	DY-100319220
20	SPACER(OPTIONAL)	DY-100025010		86	HANDLE NUT RETAINER	DY-103642010
21	LEVEL WIND NUT	DY-100288021		87	SCREW	DY-101202020
22	FRONT COVER	DY-103524061		88X	SPOOL COMPLETE	DY-104109010
23	FRONT COVER SCREW	DY-100152010		89	BALL BEARING	DY-100156010
24	BALL BEARING	DY-102952010		90	PIN	DY-100120010
25	CRANK SHAFT	DY-103653010		91	BRAKE HOLDER	DY-103275010
26	IDLER-L WASHER-A	DY-100548010		92	BRAKE SHOE ASSEMBLY	DY-103272010
27	IDLER-L	DY-101938020		94	BRAKE HOLDER PLATE	DY-103277010
28	IDLER-L WASHER-B	DY-100045020		95	MAGNET PLATE SCREW	DY-100526010
29	BEARING PLATE	DY-102892020		96X	PALM SIDE PLATE ASSEMBLY	DY-UA3535071
30	E-RING	DY-100047010		98	CONTROL DIAL	DY-102917010
31	BEARING PLATE SCREW	DY-100028070		99	SPOOL COVER	DY-103537010
33	CLUTCH CAM	DY-103525010		105	SPOOL COVER SCREW	DY-100141010
34	CLUTCH SPRING	DY-104118010		106	SPOOL SPACER-A	DY-101850010
35	KICK LEVER	DY-102307011		107	BALL BEARING	DY-100155010
36	KICK LEVER SPRING	DY-102048010		108	BEARING RETAINER	DY-102976010
37	CAM PLATE	DY-103526010		114	WASHER(OPTIONAL)	DY-100073011
38	CAM PLATE SCREW	DY-101177050		117	CLUTCH WASHER	DY-100539030
39	PINION YOKE	DY-102155010		118	CLUTCH SCREW	DY-103013020
40	PINION GEAR	DY-102929010		120	BRAKE PLATE HOLDER ASSEMBLY	DY-103559010
41	PINION YOKE SPRING	DY-102465010		121	SLIDE CAM SPRING	DY-102665010
42	RATCHET	DY-100818020		122	SLIDE CAM-H	DY-103342010
43	RATCHET WASHER	DY-103772010		123	SLIDE CAM SCREW	DY-100526020
44	DRIVE GEAR	DY-102871020		124	SLIDE CAM-D	DY-102394010
45	DRAG WASHER-L	DY-102377010		125	CLICK SPRING	DY-102002010
46	DRAG WASHER-D1	DY-100057020		127	LINK PLATE	DY-102894010
47	DRAG WASHER-A	DY-100985010		128	LINK PLATE SCREW	DY-103014010
48	DRAG WASHER-D2	DY-102134011		133	HOOK HOLDER	DY-102898020
49	SLEEVE WASHER(OPTIONAL)	DY-100144050		134	HOOK HOLDER WASHER	DY-101168020
50	SLEEVE	DY-101983010		135	HOOK HOLDER SCREW	DY-100246030
51X	GEAR SIDE PLATE ASSEMBLY	DY-U03528111		136	HOOK HOLDER SPRING	DY-102968010
53	ONE WAY CLUTCH	DY-101515010		139	BUSHING-K (TLM1) (COLLAR-K)	DY-103063010
54	O-RING	DY-100209020		141	HOOD	DY-103521090
55	BALL BEARING	DY-102971010		142	HOOD SCREW	DY-101177060
56	BEARING RETAINER	DY-101588011		143	FRONT COVER SCREW-B	DY-101177060
57X	CAST CONTROL CAP ASSEMBLY	DY-U03164080		144	LOCK LEVER	DY-103538011
58	CLICKER	DY-101674011		147	GUIDE PIN	DY-103288010
59	CLICK PLATE	DY-101675011		148	WASHER(OPTIONAL)	DY-103567010
60	CLICK PLATE RETAINER	DY-101543012		149	SLIDE PLATE	DY-104040010
61	TENSION WASHER	DY-100073011		150	SLIDE PLATE SCREW	DY-101177060
62	SPOOL SPACER-B	DY-100074021		151	LOCK LEVER SPRING	DY-104100010
66	GEAR SIDE COVER SCREW-A	DY-101177010		152	SPRING PLATE	DY-103852010
67	GEAR SIDE COVER SCREW-B	DY-100035030				

TLH1XH

Key #	Description	Order ID #		Key #	Description	Order ID #
1	FRAME	DY-103830010		69	LUBE PORT CAP	DY-101698240
2	CLUTCH BAR PLATE-R	DY-102881010		70	LUBE PORT CAP SCREW	DY-101507030
3	CLUTCH BAR PLATE-L	DY-102882010		71	DRAG SPRING WASHER	DY-100088010
4	CLUTCH BAR ASSEMBLY	DY-102883060		72	CLICK HOLDER	DY-101765010
6	CLUTCH BAR SCREW	DY-101507040		73X	STAR DRAG COMPLETE	DY-U02932392
7	LEVEL WIND ASSEMBLY	DY-103522020		74	CLICK LEAF SPRING	DY-101763010
8	PIPE	DY-103286010		75	CLICK PLATE-B	DY-101764010
9	WORM SHAFT	DY-103287010		76	CLICK PLATE RETAINER	DY-101766011
10	BALL BEARING	DY-102954010		77	HANDLE WASHER	DY-100933010
11	WORM SHAFT BUSHING-A	DY-102438010		78X	HANDLE COMPLETE	DY-104104010
12	IDLER-S	DY-100019010		79	BALL BEARING	DY-102950010
13	WORM SHAFT PIN	DY-100020010		80	HANDLE KNOB	DY-103630040
14	BALL BEARING	DY-102954010		81	BALL BEARING	DY-102950010
16	WORM SHAFT WASHER	DY-100539010		82	HANDLE KNOB SCREW	DY-100180010
17	E-RING	DY-100047010		83	HANDLE KNOB CAP	DY-102309061
18	PILLAR	DY-102711020		84	HANDLE WASHER	DY-100933010
19	LEVEL WIND PIN	DY-100464011		85	HANDLE NUT	DY-100319220
20	SPACER(OPTIONAL)	DY-100025010		86	HANDLE NUT RETAINER	DY-103642010
21	LEVEL WIND NUT	DY-100288021		87	SCREW	DY-101202020
22	FRONT COVER	DY-103524061		88X	SPOOL COMPLETE	DY-104109010
23	FRONT COVER SCREW	DY-100152010		89	BALL BEARING	DY-100156010
24	BALL BEARING	DY-102952010		90	PIN	DY-100120010
25	CRANK SHAFT	DY-103653010		91	BRAKE HOLDER	DY-103275010
26	IDLER-L WASHER-A	DY-100548010		92	BRAKE SHOE ASSEMBLY	DY-103272010
27	IDLER-L	DY-101938020		94	BRAKE HOLDER PLATE	DY-103277010
28	IDLER-L WASHER-B	DY-100045020		95	MAGNET PLATE SCREW	DY-100526010
29	BEARING PLATE	DY-102892020		96X	PALM SIDE PLATE ASSEMBLY	DY-UA3535071
30	E-RING	DY-100047010		98	CONTROL DIAL	DY-102917010
31	BEARING PLATE SCREW	DY-100028070		99	SPOOL COVER	DY-103537010
33	CLUTCH CAM	DY-103525010		105	SPOOL COVER SCREW	DY-100141010
34	CLUTCH SPRING	DY-104118010		106	SPOOL SPACER-A	DY-101850010
35	KICK LEVER	DY-102307011		107	BALL BEARING	DY-100155010
36	KICK LEVER SPRING	DY-102048010		108	BEARING RETAINER	DY-102976010
37	CAM PLATE	DY-103526010		114	WASHER(OPTIONAL)	DY-100073011
38	CAM PLATE SCREW	DY-101177050		117	CLUTCH WASHER	DY-100539030
39	PINION YOKE	DY-102155010		118	CLUTCH SCREW	DY-103013020
40	PINION GEAR	DY-102930010		120	BRAKE PLATE HOLDER ASSEMBLY	DY-103559010
41	PINION YOKE SPRING	DY-102465010		121	SLIDE CAM SPRING	DY-102665010
42	RATCHET	DY-100818020		122	SLIDE CAM-H	DY-103342010
43	RATCHET WASHER	DY-103772010		123	SLIDE CAM SCREW	DY-100526020
44	DRIVE GEAR	DY-102872020		124	SLIDE CAM-D	DY-102394010
45	DRAG WASHER-L	DY-102377010		125	CLICK SPRING	DY-102002010
46	DRAG WASHER-D1	DY-100057020		127	LINK PLATE	DY-102894010
47	DRAG WASHER-A	DY-100985010		128	LINK PLATE SCREW	DY-103014010
48	DRAG WASHER-D2	DY-102134011		133	HOOK HOLDER	DY-102898020
49	SLEEVE WASHER(OPTIONAL)	DY-100144050		134	HOOK HOLDER WASHER	DY-101168020
50	SLEEVE	DY-101983010		135	HOOK HOLDER SCREW	DY-100246030
51X	GEAR SIDE PLATE ASSEMBLY	DY-U03528121		136	HOOK HOLDER SPRING	DY-102968010
53	ONE WAY CLUTCH	DY-101515010		139	BUSHING-K (TLM1) (COLLAR-K)	DY-103063010
54	O-RING	DY-100209020		141	HOOD	DY-103521090
55	BALL BEARING	DY-102971010		142	HOOD SCREW	DY-101177060
56	BEARING RETAINER	DY-101588011		143	FRONT COVER SCREW-B	DY-101177060
57X	CAST CONTROL CAP ASSEMBLY	DY-U03164080		144	LOCK LEVER	DY-103538011
58	CLICKER	DY-101674011		147	GUIDE PIN	DY-103288010
59	CLICK PLATE	DY-101675011		148	WASHER(OPTIONAL)	DY-103567010
60	CLICK PLATE RETAINER	DY-101543012		149	SLIDE PLATE	DY-104040010
61	TENSION WASHER	DY-100073011		150	SLIDE PLATE SCREW	DY-101177060
62	SPOOL SPACER-B	DY-100074021		151	LOCK LEVER SPRING	DY-104100010
66	GEAR SIDE COVER SCREW-A	DY-101177010		152	SPRING PLATE	DY-103852010
67	GEAR SIDE COVER SCREW-B	DY-100035030				

TLH1SHL

Key #	Description	Order ID #				
1	FRAME	DY-103840010		69	LUBE PORT CAP	DY-101698240
2	CLUTCH BAR PLATE-R	DY-102881010		70	LUBE PORT CAP SCREW	DY-101507030
3	CLUTCH BAR PLATE-L	DY-102882010		71	DRAG SPRING WASHER	DY-100088010
4	CLUTCH BAR ASSEMBLY	DY-102883060		72	CLICK HOLDER	DY-101765010
6	CLUTCH BAR SCREW	DY-101507040		73X	STAR DRAG COMPLETE	DY-U02947352
7	LEVEL WIND ASSEMBLY	DY-103522020		74	CLICK LEAF SPRING	DY-101763010
8	PIPE	DY-103286010		75	CLICK PLATE-B	DY-101764010
9	WORM SHAFT	DY-103287010		76	CLICK PLATE RETAINER	DY-101766011
10	BALL BEARING	DY-102954010		77	HANDLE WASHER	DY-100933010
11	WORM SHAFT BUSHING-A	DY-102438010		78X	HANDLE COMPLETE	DY-104104010
12	IDLER-S	DY-100019010		79	BALL BEARING	DY-102950010
13	WORM SHAFT PIN	DY-100020010		80	HANDLE KNOB	DY-103630040
14	BALL BEARING	DY-102954010		81	BALL BEARING	DY-102950010
16	WORM SHAFT WASHER	DY-100539010		82	HANDLE KNOB SCREW	DY-100180010
17	E-RING	DY-100047010		83	HANDLE KNOB CAP	DY-102309061
18	PILLAR	DY-102711020		84	HANDLE WASHER	DY-100933010
19	LEVEL WIND PIN	DY-100464011		85	HANDLE NUT	DY-101176210
20	SPACER(OPTIONAL)	DY-100025010		86	HANDLE NUT RETAINER	DY-103642010
21	LEVEL WIND NUT	DY-100288021		87	SCREW	DY-101202020
22	FRONT COVER	DY-103550061		88X	SPOOL COMPLETE	DY-104109010
23	FRONT COVER SCREW	DY-100152010		89	BALL BEARING	DY-100156010
24	BALL BEARING	DY-102952010		90	PIN	DY-100120010
25	CRANK SHAFT	DY-103654010		91	BRAKE HOLDER	DY-103275010
26	IDLER-L WASHER-A	DY-100548010		92	BRAKE SHOE ASSEMBLY	DY-103272010
27	IDLER-L	DY-101938020		94	BRAKE HOLDER PLATE	DY-103277010
28	IDLER-L WASHER-B	DY-100045020		95	MAGNET PLATE SCREW	DY-100526010
29	BEARING PLATE	DY-102944020		96X	PALM SIDE PLATE ASSEMBLY	DY-UA3556061
30	E-RING	DY-100047010		98	CONTROL DIAL	DY-102917010
31	BEARING PLATE SCREW	DY-100028070		99	SPOOL COVER	DY-103537010
33	CLUTCH CAM	DY-103551010		105	SPOOL COVER SCREW	DY-100141010
34	CLUTCH SPRING	DY-104119010		106	SPOOL SPACER-A	DY-101850010
35	KICK LEVER	DY-102308011		107	BALL BEARING	DY-100155010
36	KICK LEVER SPRING	DY-102058010		108	BEARING RETAINER	DY-102976010
37	CAM PLATE	DY-103552010		114	WASHER(OPTIONAL)	DY-100073011
38	CAM PLATE SCREW	DY-101177050		117	CLUTCH WASHER	DY-100539030
39	PINION YOKE	DY-102165010		118	CLUTCH SCREW	DY-103013020
40	PINION GEAR	DY-102958010		120	BRAKE PLATE HOLDER ASSEMBLY	DY-103559010
41	PINION YOKE SPRING	DY-102465010		121	SLIDE CAM SPRING	DY-102665010
42	RATCHET	DY-100818020		122	SLIDE CAM-H	DY-103342010
43	RATCHET WASHER	DY-103772010		123	SLIDE CAM SCREW	DY-100526020
44	DRIVE GEAR	DY-102965020		124	SLIDE CAM-D	DY-102394010
45	DRAG WASHER-L	DY-102377010		125	CLICK SPRING	DY-102002010
46	DRAG WASHER-D1	DY-100057020		127	LINK PLATE	DY-102894010
47	DRAG WASHER-A	DY-100985010		128	LINK PLATE SCREW	DY-103014010
48	DRAG WASHER-D2	DY-102134011		133	HOOK HOLDER	DY-102943020
49	SLEEVE WASHER(OPTIONAL)	DY-100144050		134	HOOK HOLDER WASHER	DY-101168020
50	SLEEVE	DY-101983010		135	HOOK HOLDER SCREW	DY-100246030
51X	GEAR SIDE PLATE ASSEMBLY	DY-U03554101		136	HOOK HOLDER SPRING	DY-102969010
53	ONE WAY CLUTCH	DY-101515010		139	BUSHING-K (TLM1) (COLLAR-K)	DY-103063010
54	O-RING	DY-100209020		141	HOOD	DY-103521090
55	BALL BEARING	DY-102971010		142	HOOD SCREW	DY-101177060
56	BEARING RETAINER	DY-101588011		143	FRONT COVER SCREW-B	DY-101177060
57X	CAST CONTROL CAP ASSEMBLY	DY-U03164080		144	LOCK LEVER	DY-103557011
58	CLICKER	DY-101674011		147	GUIDE PIN	DY-103288010
59	CLICK PLATE	DY-101675011		148	WASHER(OPTIONAL)	DY-103567010
60	CLICK PLATE RETAINER	DY-101543012		149	SLIDE PLATE	DY-104041010
61	TENSION WASHER	DY-100073011		150	SLIDE PLATE SCREW	DY-101177060
62	SPOOL SPACER-B	DY-100074021		151	LOCK LEVER SPRING	DY-104101010
66	GEAR SIDE COVER SCREW-A	DY-101177010		152	SPRING PLATE	DY-103852010
67	GEAR SIDE COVER SCREW-B	DY-100035030				

TLH1XHL

Key #	Description	Order ID #		Key #	Description	Order ID #
1	FRAME	DY-103840010		69	LUBE PORT CAP	DY-101698240
2	CLUTCH BAR PLATE-R	DY-102881010		70	LUBE PORT CAP SCREW	DY-101507030
3	CLUTCH BAR PLATE-L	DY-102882010		71	DRAG SPRING WASHER	DY-100088010
4	CLUTCH BAR ASSEMBLY	DY-102883060		72	CLICK HOLDER	DY-101765010
6	CLUTCH BAR SCREW	DY-101507040		73X	STAR DRAG COMPLETE	DY-U02947362
7	LEVEL WIND ASSEMBLY	DY-103522020		74	CLICK LEAF SPRING	DY-101763010
8	PIPE	DY-103286010		75	CLICK PLATE-B	DY-101764010
9	WORM SHAFT	DY-103287010		76	CLICK PLATE RETAINER	DY-101766011
10	BALL BEARING	DY-102954010		77	HANDLE WASHER	DY-100933010
11	WORM SHAFT BUSHING-A	DY-102438010		78X	HANDLE COMPLETE	DY-104104010
12	IDLER-S	DY-100019010		79	BALL BEARING	DY-102950010
13	WORM SHAFT PIN	DY-100020010		80	HANDLE KNOB	DY-103630040
14	BALL BEARING	DY-102954010		81	BALL BEARING	DY-102950010
16	WORM SHAFT WASHER	DY-100539010		82	HANDLE KNOB SCREW	DY-100180010
17	E-RING	DY-100047010		83	HANDLE KNOB CAP	DY-102309061
18	PILLAR	DY-102711020		84	HANDLE WASHER	DY-100933010
19	LEVEL WIND PIN	DY-100464011		85	HANDLE NUT	DY-101176210
20	SPACER(OPTIONAL)	DY-100025010		86	HANDLE NUT RETAINER	DY-103642010
21	LEVEL WIND NUT	DY-100288021		87	SCREW	DY-101202020
22	FRONT COVER	DY-103550061		88X	SPOOL COMPLETE	DY-104109010
23	FRONT COVER SCREW	DY-100152010		89	BALL BEARING	DY-100156010
24	BALL BEARING	DY-102952010		90	PIN	DY-100120010
25	CRANK SHAFT	DY-103654010		91	BRAKE HOLDER	DY-103275010
26	IDLER-L WASHER-A	DY-100548010		92	BRAKE SHOE ASSEMBLY	DY-103272010
27	IDLER-L	DY-101938020		94	BRAKE HOLDER PLATE	DY-103277010
28	IDLER-L WASHER-B	DY-100045020		95	MAGNET PLATE SCREW	DY-100526010
29	BEARING PLATE	DY-102944020		96X	PALM SIDE PLATE ASSEMBLY	DY-UA3556061
30	E-RING	DY-100047010		98	CONTROL DIAL	DY-102917010
31	BEARING PLATE SCREW	DY-100028070		99	SPOOL COVER	DY-103537010
33	CLUTCH CAM	DY-103551010		105	SPOOL COVER SCREW	DY-100141010
34	CLUTCH SPRING	DY-104119010		106	SPOOL SPACER-A	DY-101850010
35	KICK LEVER	DY-102308011		107	BALL BEARING	DY-100155010
36	KICK LEVER SPRING	DY-102058010		108	BEARING RETAINER	DY-102976010
37	CAM PLATE	DY-103552010		114	WASHER(OPTIONAL)	DY-100073011
38	CAM PLATE SCREW	DY-101177050		117	CLUTCH WASHER	DY-100539030
39	PINION YOKE	DY-102165010		118	CLUTCH SCREW	DY-103013020
40	PINION GEAR	DY-102959010		120	BRAKE PLATE HOLDER ASSEMBLY	DY-103559010
41	PINION YOKE SPRING	DY-102465010		121	SLIDE CAM SPRING	DY-102665010
42	RATCHET	DY-100818020		122	SLIDE CAM-H	DY-103342010
43	RATCHET WASHER	DY-103772010		123	SLIDE CAM SCREW	DY-100526020
44	DRIVE GEAR	DY-102966020		124	SLIDE CAM-D	DY-102394010
45	DRAG WASHER-L	DY-102377010		125	CLICK SPRING	DY-102002010
46	DRAG WASHER-D1	DY-100057020		127	LINK PLATE	DY-102894010
47	DRAG WASHER-A	DY-100985010		128	LINK PLATE SCREW	DY-103014010
48	DRAG WASHER-D2	DY-102134011		133	HOOK HOLDER	DY-102943020
49	SLEEVE WASHER(OPTIONAL)	DY-100144050		134	HOOK HOLDER WASHER	DY-101168020
50	SLEEVE	DY-101983010		135	HOOK HOLDER SCREW	DY-100246030
51X	GEAR SIDE PLATE ASSEMBLY	DY-U03554111		136	HOOK HOLDER SPRING	DY-102969010
53	ONE WAY CLUTCH	DY-101515010		139	BUSHING-K (TLM1) (COLLAR-K)	DY-103063010
54	O-RING	DY-100209020		141	HOOD	DY-103521090
55	BALL BEARING	DY-102971010		142	HOOD SCREW	DY-101177060
56	BEARING RETAINER	DY-101588011		143	FRONT COVER SCREW-B	DY-101177060
57X	CAST CONTROL CAP ASSEMBLY	DY-U03164080		144	LOCK LEVER	DY-103557011
58	CLICKER	DY-101674011		147	GUIDE PIN	DY-103288010
59	CLICK PLATE	DY-101675011		148	WASHER(OPTIONAL)	DY-103567010
60	CLICK PLATE RETAINER	DY-101543012		149	SLIDE PLATE	DY-104041010
61	TENSION WASHER	DY-100073011		150	SLIDE PLATE SCREW	DY-101177060
62	SPOOL SPACER-B	DY-100074021		151	LOCK LEVER SPRING	DY-104101010
66	GEAR SIDE COVER SCREW-A	DY-101177010		152	SPRING PLATE	DY-103852010
67	GEAR SIDE COVER SCREW-B	DY-100035030				